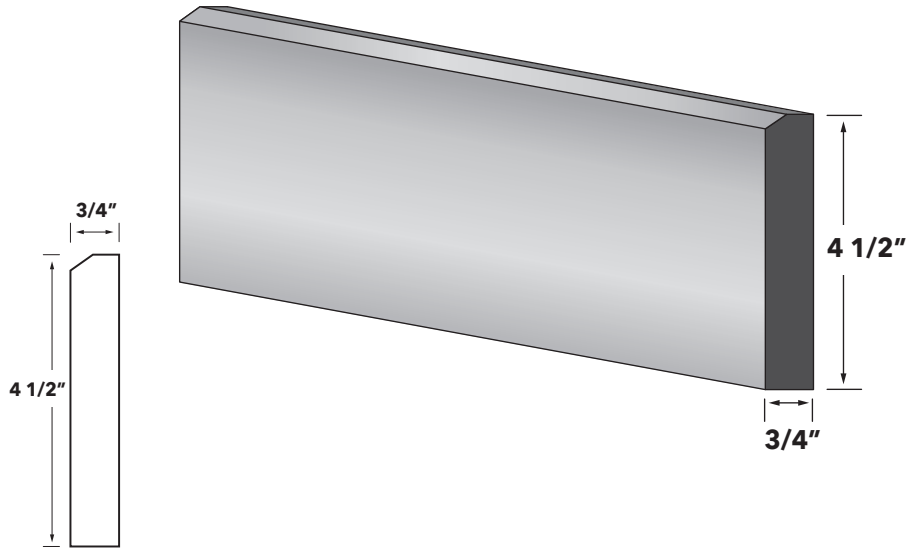


FURNITURE BASE

Available in Classic Series only.

Please note: all 96" moldings that need to be shipped via FedEx or UPS will incur an additional \$150 net charge to the standard freight rate. To avoid this fee, we can cut the 96" molding down to 94" before shipping. Standard truck orders will not incur this fee.

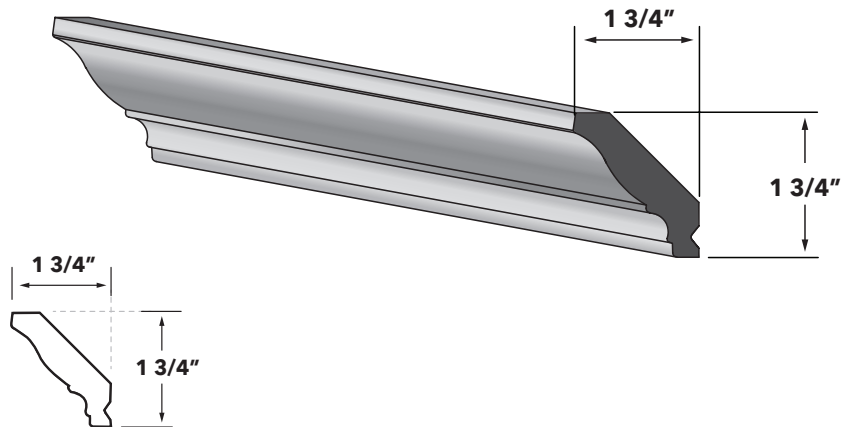


ITEM	DESCRIPTION	PRICE GROUP									
		01	02	03	04	05	06	07	08	09	10
MFB	Furniture Base, 4 1/2 X 3/4 X 96	N/A	N/A	N/A	N/A	N/A	225	N/A	N/A	N/A	N/A

SMALL CROWN

Available in Classic Series only, excluding Montessa White Gloss.

Please note: all 96" moldings that need to be shipped via FedEx or UPS will incur an additional \$150 net charge to the standard freight rate. To avoid this fee, we can cut the 96" molding down to 94" before shipping. Standard truck orders will not incur this fee.

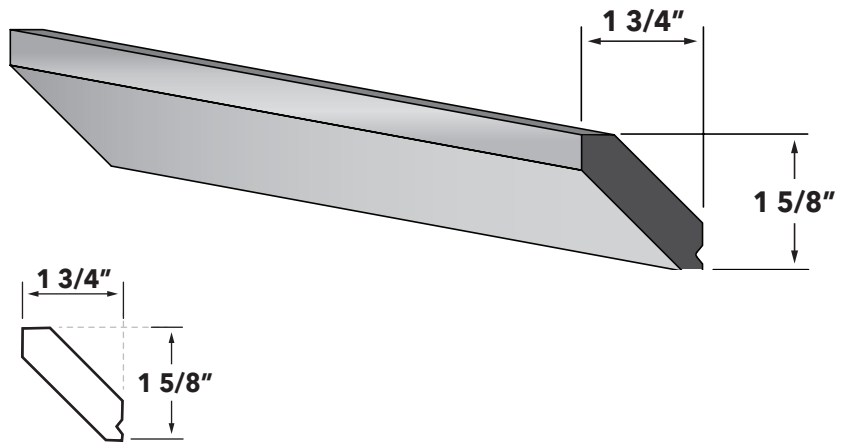


ITEM	DESCRIPTION	PRICE GROUP									
		01	02	03	04	05	06	07	08	09	10
MCM2	Small Crown, 1 3/4 X 1 3/4 X 96	N/A	N/A	N/A	N/A	N/A	165	N/A	N/A	N/A	N/A

SMALL SHAKER CROWN

Available in Classic Series only.

Please note: all 96" moldings that need to be shipped via FedEx or UPS will incur an additional \$150 net charge to the standard freight rate. To avoid this fee, we can cut the 96" molding down to 94" before shipping. Standard truck orders will not incur this fee.

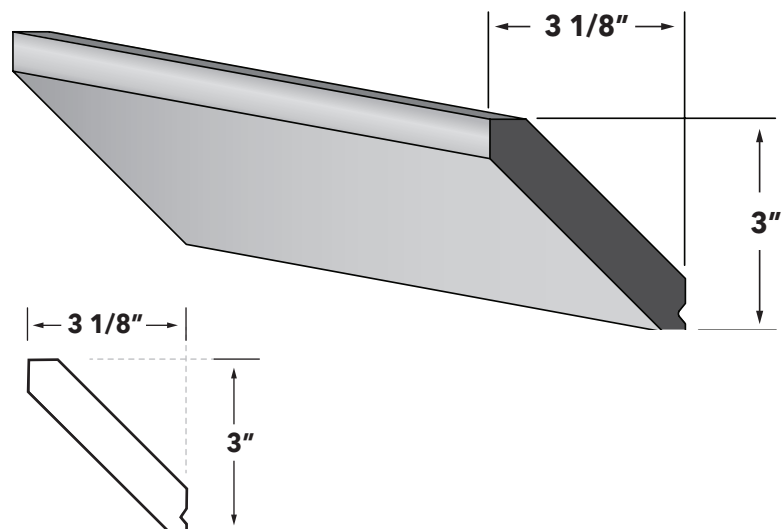


ITEM	DESCRIPTION	PRICE GROUP									
		01	02	03	04	05	06	07	08	09	10
MCS2	Small Shaker Crown, 1 3/4 X 1 5/8 X 96	N/A	N/A	N/A	N/A	N/A	152	N/A	N/A	N/A	N/A

LARGE SHAKER CROWN

Available in Classic Series only.

Please note: all 96" moldings that need to be shipped via FedEx or UPS will incur an additional \$150 net charge to the standard freight rate. To avoid this fee, we can cut the 96" molding down to 94" before shipping. Standard truck orders will not incur this fee.

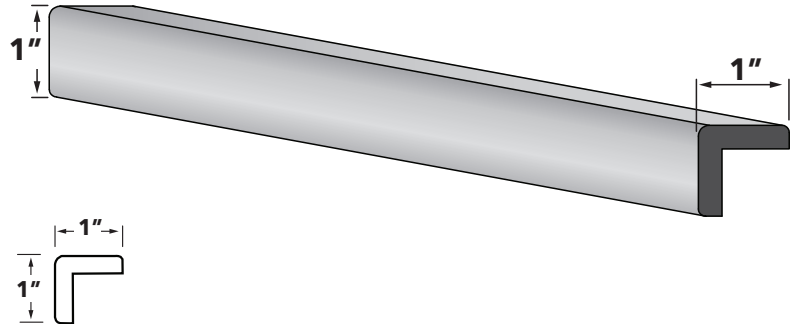


ITEM	DESCRIPTION	PRICE GROUP									
		01	02	03	04	05	06	07	08	09	10
MCS4	Large Shaker Crown, 3 1/8 X 3 X 96	N/A	N/A	N/A	N/A	N/A	237	N/A	N/A	N/A	N/A

OUTSIDE CORNER MOULDING

Available in Classic Series only.

Please note: all 96" moldings that need to be shipped via FedEx or UPS will incur an additional \$150 net charge to the standard freight rate. To avoid this fee, we can cut the 96" molding down to 94" before shipping. Standard truck orders will not incur this fee.

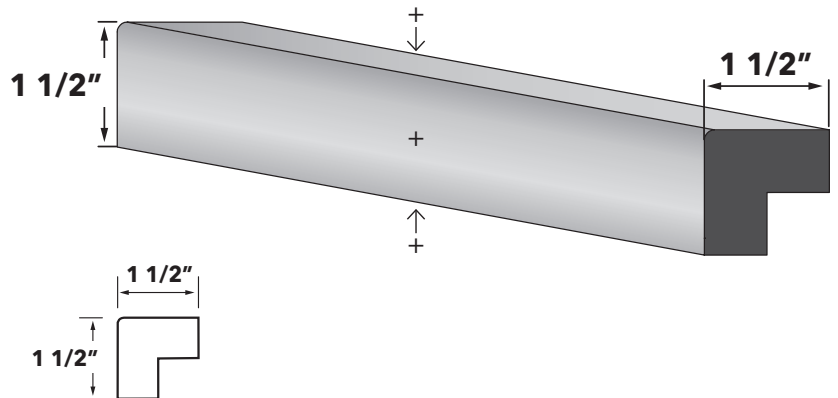


ITEM	DESCRIPTION	PRICE GROUP									
		01	02	03	04	05	06	07	08	09	10
MOC	Outside Corner Moulding, 1 X 1 X 96	N/A	N/A	N/A	N/A	N/A	112	N/A	N/A	N/A	N/A

LIGHT RAIL MOULDING

Not available in Electra. + Indicates finished sides. Finished 2 long edges and 2 long faces. Not available in Veneer Series.

Please note: all 96" moldings that need to be shipped via FedEx or UPS will incur an additional \$150 net charge to the standard freight rate. To avoid this fee, we can cut the 96" molding down to 94" before shipping. Standard truck orders will not incur this fee.

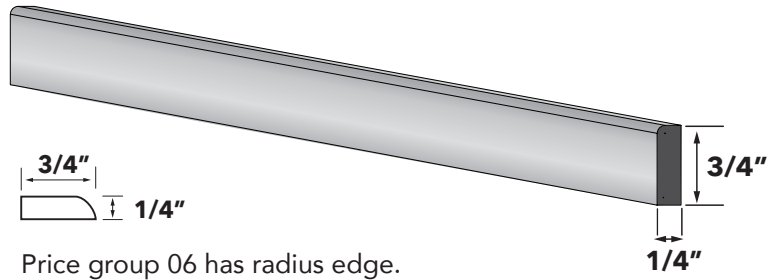
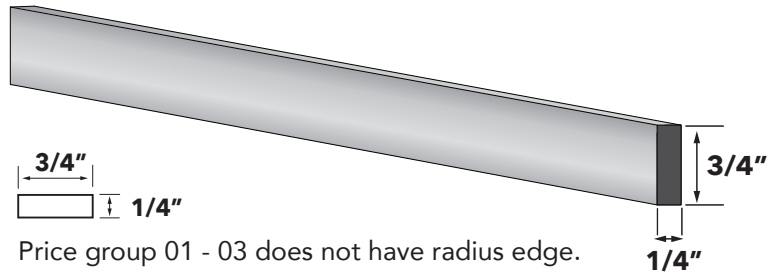


ITEM	DESCRIPTION	PRICE GROUP									
		01	02	03	04	05	06	07	08	09	10
MLR	Light Rail, 1 1/2 X 1 1/2 X 96	144	148	159	170	212	192	170	170	N/A	N/A

SCRIBE MOULDING

Available in Classic Series only.

Please note: all 96" moldings that need to be shipped via FedEx or UPS will incur an additional \$150 net charge to the standard freight rate. To avoid this fee, we can cut the 96" molding down to 94" before shipping. Standard truck orders will not incur this fee.

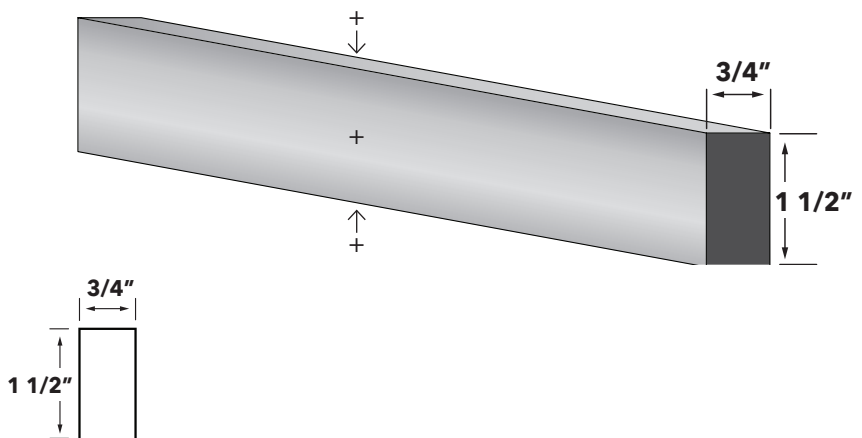


ITEM	DESCRIPTION	PRICE GROUP									
		01	02	03	04	05	06	07	08	09	10
MSM	Scribe Moulding, 3/4 X 1/4 X 96	40	43	46	N/A	48	49	N/A	N/A	N/A	N/A

SQUARE MOULDING

+ Indicates finished sides.

Please note: all 96" moldings that need to be shipped via FedEx or UPS will incur an additional \$150 net charge to the standard freight rate. To avoid this fee, we can cut the 96" molding down to 94" before shipping. Standard truck orders will not incur this fee.

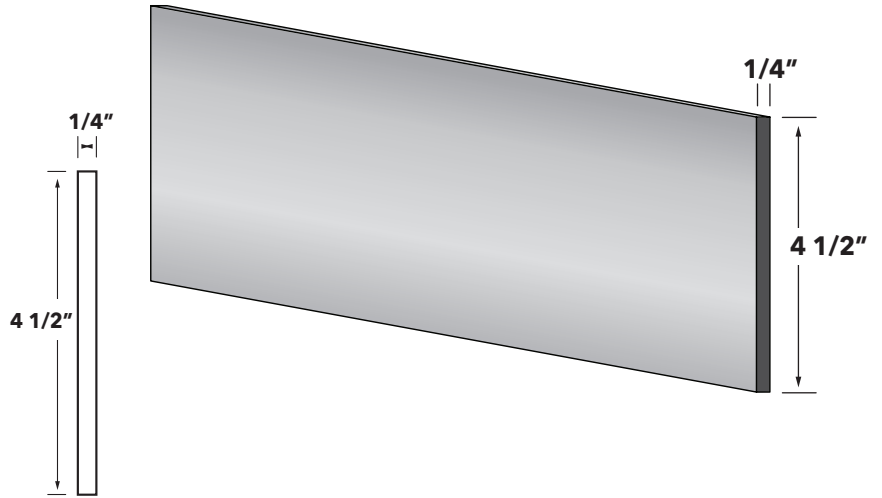


ITEM	DESCRIPTION	PRICE GROUP									
		01	02	03	04	05	06	07	08	09	10
MSM1	Square Moulding, 1 1/2 X 3/4 X 96	109	112	120	129	161	145	129	129	N/A	N/A

1/4" TOE KICK MOULDING

Available in Classic Series & Veneer Series only.

Please note: all 96" moldings that need to be shipped via FedEx or UPS will incur an additional \$150 net charge to the standard freight rate. To avoid this fee, we can cut the 96" molding down to 94" before shipping. Standard truck orders will not incur this fee.

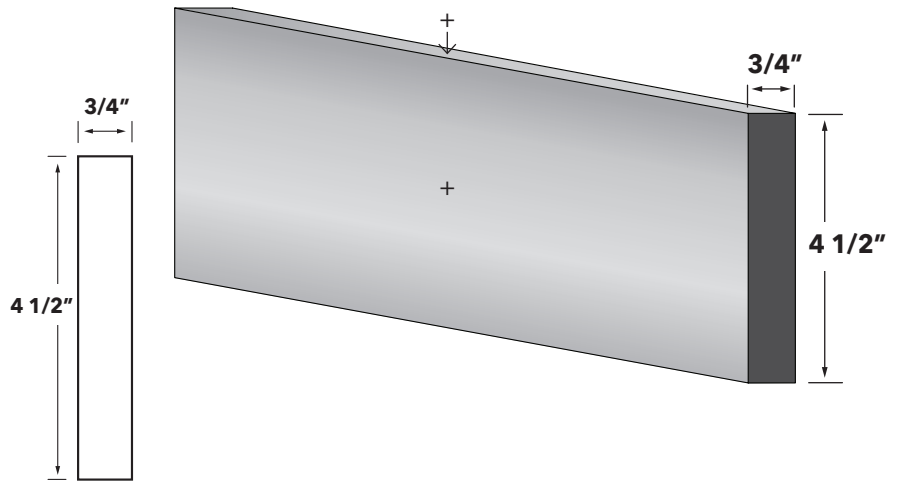


ITEM	DESCRIPTION	PRICE GROUP									
		01	02	03	04	05	06	07	08	09	10
MTKW	Toe Kick Moulding, 4 1/2 X 1/4 X 96	N/A	N/A	N/A	N/A	N/A	47	N/A	N/A	212	235

3/4" TOE KICK MOULDING

Available in all series. Finished one long edge and one face.
 + Indicates finished sides. Can be used as a square furniture base or top molding with the one long edge finished.

Please note: all 96" moldings that need to be shipped via FedEx or UPS will incur an additional \$150 net charge to the standard freight rate. To avoid this fee, we can cut the 96" molding down to 94" before shipping. Standard truck orders will not incur this fee.



ITEM	DESCRIPTION	PRICE GROUP									
		01	02	03	04	05	06	07	08	09	10
MTKL	Toe Kick Moulding, 4 1/2 X 3/4 X 96	61	66	71	95	132	75	95	95	257	285

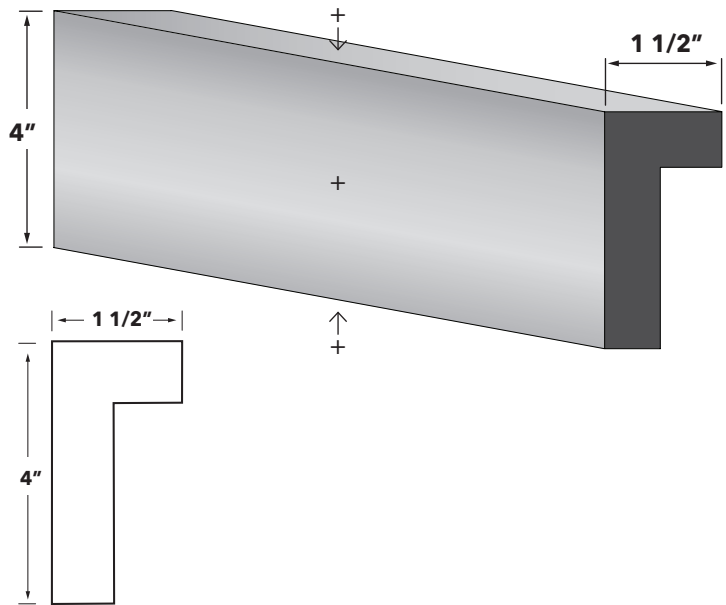
LARGE SQUARE VALANCE

Not available in Veneer Series.

Finished one long edge
and 2 long faces.

+ Indicates finished sides.

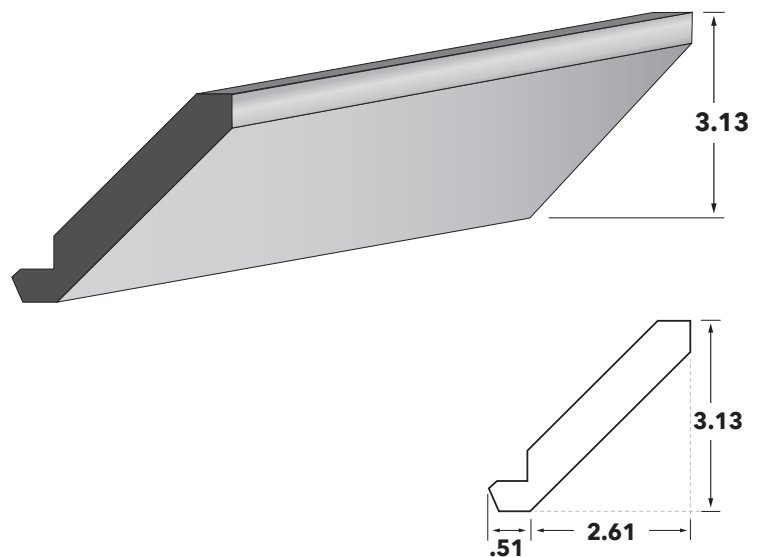
Please note: all 96" moldings that need to be shipped via FedEx or UPS will incur an additional \$150 net charge to the standard freight rate. To avoid this fee, we can cut the 96" molding down to 94" before shipping. Standard truck orders will not incur this fee.



ITEM	DESCRIPTION	PRICE GROUP									
		01	02	03	04	05	06	07	08	09	10
MSV4	Large Square Valance, 4 X 1 1/2 X 96	187	192	207	220	275	248	220	220	N/A	N/A

ELECTRA VENEER SERIES MOULDINGS ONLY, STRAIGHT CROWN

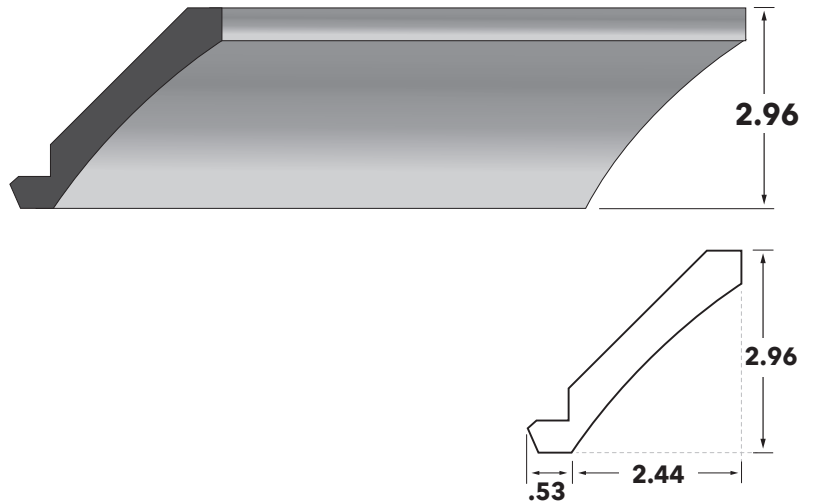
Please note: all 96" moldings that need to be shipped via FedEx or UPS will incur an additional \$150 net charge to the standard freight rate. To avoid this fee, we can cut the 96" molding down to 94" before shipping. Standard truck orders will not incur this fee.



ITEM	DESCRIPTION	PRICE GROUP									
		01	02	03	04	05	06	07	08	09	10
MSCW3	Straight Crown, 2.61" X 3.13" X 96"	N/A	N/A	N/A	N/A	N/A	N/A	N/A	N/A	257	290

ELECTRA VENEER SERIES MOULDINGS ONLY, COVE CROWN

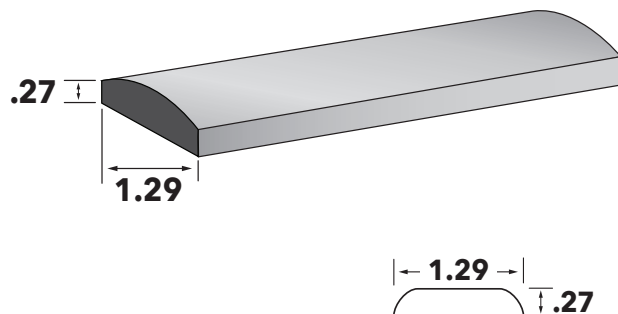
Please note: all 96" moldings that need to be shipped via FedEx or UPS will incur an additional \$150 net charge to the standard freight rate. To avoid this fee, we can cut the 96" molding down to 94" before shipping. Standard truck orders will not incur this fee.



ITEM	DESCRIPTION	PRICE GROUP										
		01	02	03	04	05	06	07	08	09	10	
MCCW3	Cove Crown, 2.44" X 2.96" X 96"	N/A	N/A	N/A	N/A	N/A	N/A	N/A	N/A	N/A	262	293

ELECTRA VENEER SERIES MOULDINGS ONLY, SCRIBE MOULDING

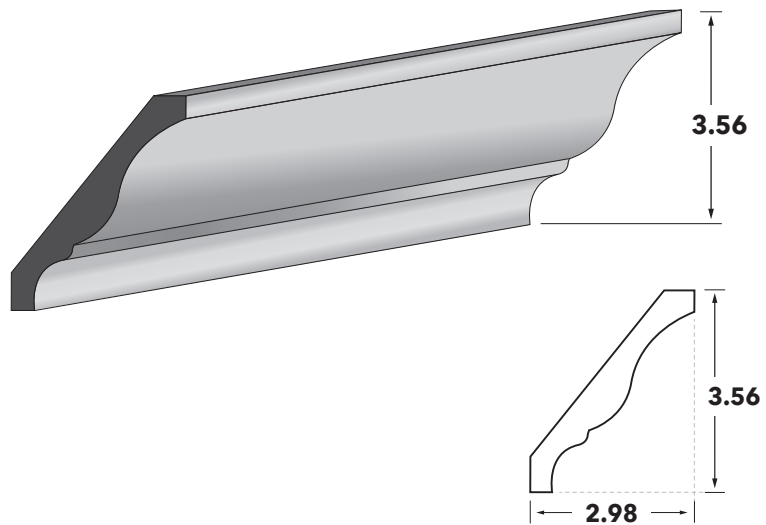
Please note: all 96" moldings that need to be shipped via FedEx or UPS will incur an additional \$150 net charge to the standard freight rate. To avoid this fee, we can cut the 96" molding down to 94" before shipping. Standard truck orders will not incur this fee.



ITEM	DESCRIPTION	PRICE GROUP										
		01	02	03	04	05	06	07	08	09	10	
MSMW	Scribe Moulding, 1.29" X .27" X 96"	N/A	N/A	N/A	N/A	N/A	N/A	N/A	N/A	N/A	158	166

ELECTRA ROMA SERIES MOULDINGS ONLY, ROYAL CROWN

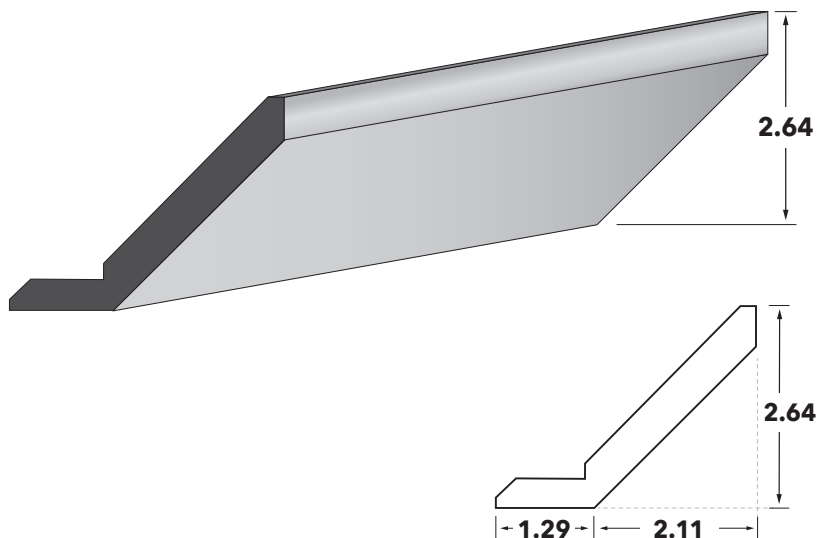
Please note: all 96" moldings that need to be shipped via FedEx or UPS will incur an additional \$150 net charge to the standard freight rate. To avoid this fee, we can cut the 96" molding down to 94" before shipping. Standard truck orders will not incur this fee.



ITEM	DESCRIPTION	PRICE GROUP									
		01	02	03	04	05	06	07	08	09	10
MRCL4	Royal Crown, 2.98" X 3.56" X 96"	N/A	N/A	N/A	157	N/A	N/A	157	157	N/A	N/A

ELECTRA ROMA SERIES MOULDINGS ONLY, STRAIGHT CROWN

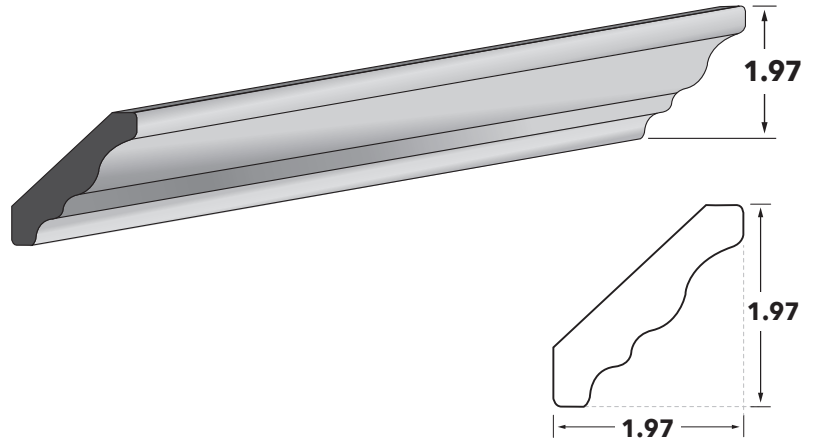
Please note: all 96" moldings that need to be shipped via FedEx or UPS will incur an additional \$150 net charge to the standard freight rate. To avoid this fee, we can cut the 96" molding down to 94" before shipping. Standard truck orders will not incur this fee.



ITEM	DESCRIPTION	PRICE GROUP									
		01	02	03	04	05	06	07	08	09	10
MSCL3	Straight Crown, 2.11" X 2.64" X 96"	N/A	N/A	N/A	210	N/A	N/A	210	210	N/A	N/A

ELECTRA ROMA SERIES MOULDINGS ONLY, WINDSOR CROWN

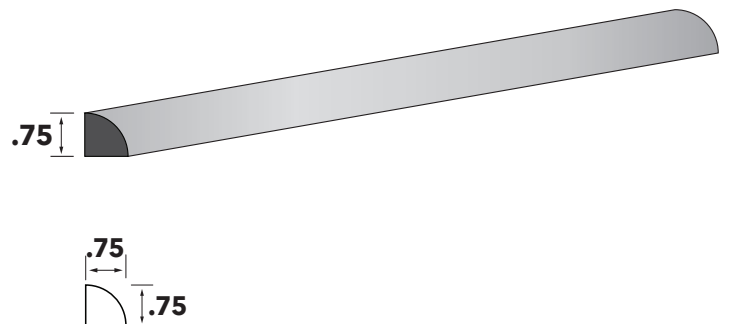
Please note: all 96" moldings that need to be shipped via FedEx or UPS will incur an additional \$150 net charge to the standard freight rate. To avoid this fee, we can cut the 96" molding down to 94" before shipping. Standard truck orders will not incur this fee.



ITEM	DESCRIPTION	PRICE GROUP									
		01	02	03	04	05	06	07	08	09	10
MWCL2	Windsor Crown, 1.97 X 1.97 X 96"	N/A	N/A	N/A	123	N/A	N/A	123	123	N/A	N/A

ELECTRA ROMA SERIES MOULDINGS ONLY, SHOE MOULDING

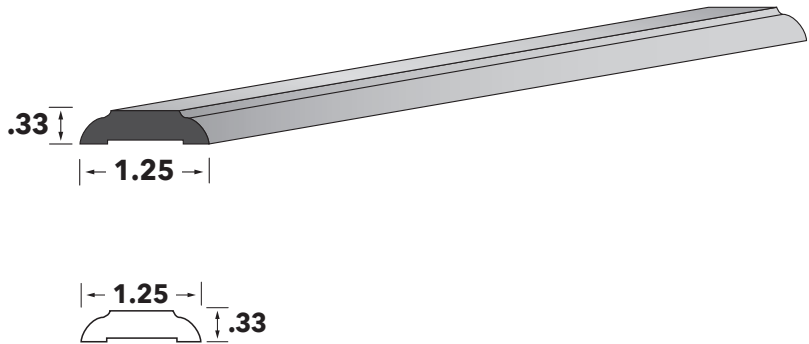
Please note: all 96" moldings that need to be shipped via FedEx or UPS will incur an additional \$150 net charge to the standard freight rate. To avoid this fee, we can cut the 96" molding down to 94" before shipping. Standard truck orders will not incur this fee.



ITEM	DESCRIPTION	PRICE GROUP									
		01	02	03	04	05	06	07	08	09	10
MSHL	Shoe Moulding, 3/4" X 3/4" X 96"	N/A	N/A	N/A	96	N/A	N/A	96	96	N/A	N/A

ELECTRA ROMA SERIES MOULDINGS ONLY, BATTEN MOULDING

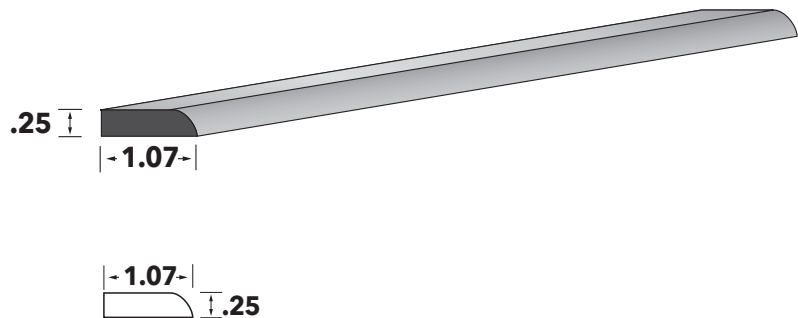
Please note: all 96" moldings that need to be shipped via FedEx or UPS will incur an additional \$150 net charge to the standard freight rate. To avoid this fee, we can cut the 96" molding down to 94" before shipping. Standard truck orders will not incur this fee.



ITEM	DESCRIPTION	PRICE GROUP									
		01	02	03	04	05	06	07	08	09	10
MBML	Batten Moulding 1 1/4" X .33" X 96"	N/A	N/A	N/A	85	N/A	N/A	85	85	N/A	N/A

ELECTRA ROMA SERIES MOULDINGS ONLY, SCRIBE MOULDING

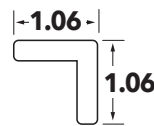
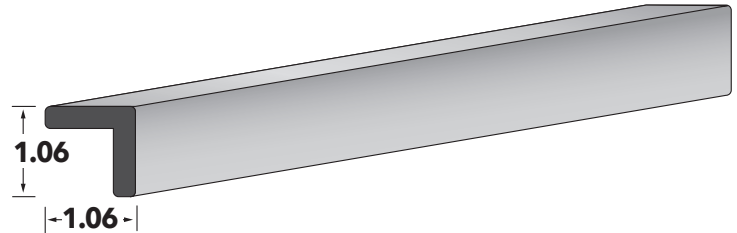
Please note: all 96" moldings that need to be shipped via FedEx or UPS will incur an additional \$150 net charge to the standard freight rate. To avoid this fee, we can cut the 96" molding down to 94" before shipping. Standard truck orders will not incur this fee.



ITEM	DESCRIPTION	PRICE GROUP									
		01	02	03	04	05	06	07	08	09	10
MSML	Scribe Moulding, 1.07" x .25" x 96"	N/A	N/A	N/A	76	N/A	N/A	76	76	N/A	N/A

ELECTRA ROMA SERIES MOULDINGS ONLY, OUTSIDE CORNER MOULDING

Please note: all 96" moldings that need to be shipped via FedEx or UPS will incur an additional \$150 net charge to the standard freight rate. To avoid this fee, we can cut the 96" molding down to 94" before shipping. Standard truck orders will not incur this fee.



ITEM	DESCRIPTION	PRICE GROUP									
		01	02	03	04	05	06	07	08	09	10
MOCL	Outside Corner Moulding 1.06" X 1.06" X 96"	N/A	N/A	N/A	143	N/A	N/A	143	143	N/A	N/A

