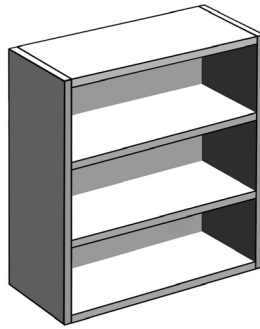


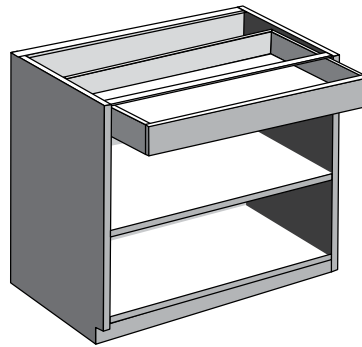
**CABINET NO DOOR(S)**

- Cabinet includes shelves, drawer boxes, accessories and glides where applicable.
- No doors or drawer fronts will be included.
- Cabinet will have white or wood veneer interiors unless you have selected a glass wall cabinet with finished interiors.
- Can be ordered for any standard cabinet.

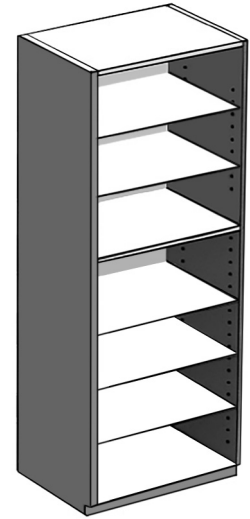
Examples:



W3030-ND



B1D3034-ND



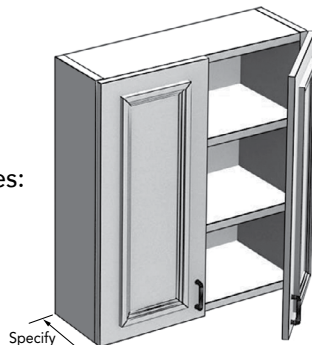
TU3690-ND

CODE	WALL	BASE	VANITY	TALL
ND	-15%	-15%	-15%	-15%

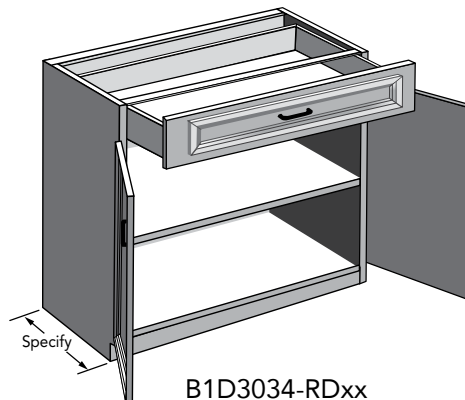
**REDUCED DEPTH**

- Minimum depth of a cabinet without a drawer is 9".
- Minimum depth of a cabinet with a drawer and glides is 13".  
All other depths with drawers are quoted only (will add to lead times).
- Some cabinets may not be able to be modified.
- Corner cabinets excluded.
- Specify depth after code, i.e. B1D3034-RD15
- Please note: base & tall cabinet shelves are set back from front of box 2 1/2" (i.e. TU3090-RD9 has a shelf 2 1/2" less than box). Wall cabinets are set back 1".
- Reduce width in increments of 1/4". i.e. B1D3034-RD18.75.

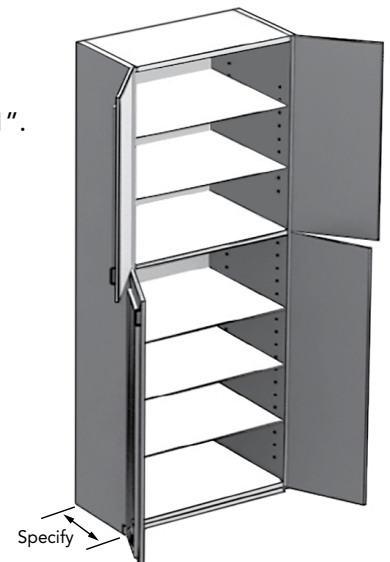
Examples:



W3030-RDxx



B1D3034-RDxx



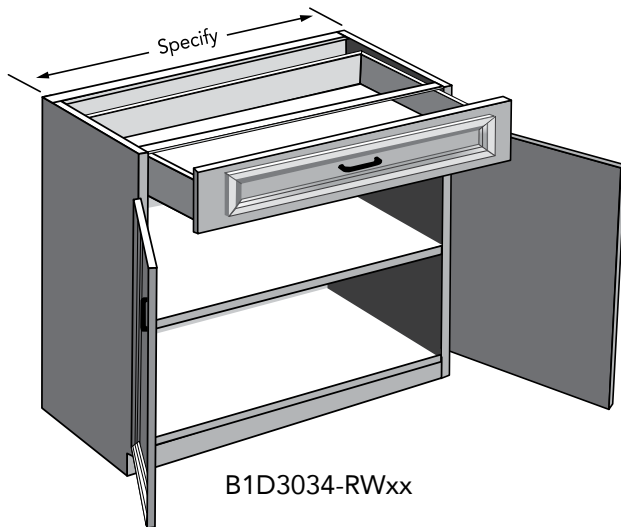
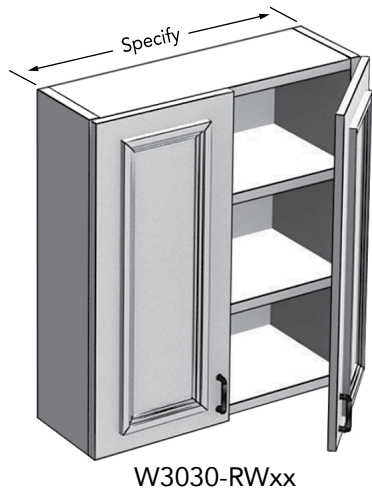
TU3690-RDxx

CODE	WALL	BASE	VANITY	TALL
RD	\$300	\$300	\$300	\$500

**REDUCED WIDTH**

- Only available on MSW, MFPW, & MW painted cabinets.
- Use next standard size cabinet **larger** than the requested size.
- Minimum width of cabinet without a drawer is 6"
- Minimum width of cabinet with a drawer and glides is 7".
- Some cabinets may not be able to be modified.
- Corner cabinets excluded. Custom quote only.
- Specify width after code, i.e. B1D3034-RW29
- Reduce width in increments of 1/4". i.e. W3030-RW29.75.
- Depending on size of stiles and rails, modification can lead to slab doors and drawer fronts.

Examples:

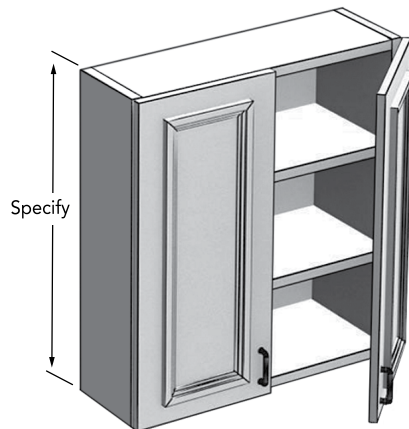


CODE	WALL	BASE	VANITY	TALL
RW	\$550	\$700	\$700	\$1,100

**REDUCED HEIGHT**

- Only available on MSW, MFPW, & MW painted cabinets.
- Use next standard size cabinet **larger** than the requested size.
- Minimum height of base cabinet without a drawer is 15". One drawer base cabinet is 21".  
Two drawer base cabinet is 18". Three drawer base cabinet is 24". Four drawer base cabinet is 31".
- Minimum height of a wall cabinet is 6".
- Minimum tall cabinet height to be 66".
- Specify height after code, i.e. TU1884-RH81.
- Reduce height in increments of 1/4". i.e. TU1884-RH66.75.
- Depending on size of stiles and rails, modification can lead to slab doors and drawer fronts.
- Upper section of standard tall cabinets will decrease in size with the modification.
- Lower section of standard base and vanity cabinets will decrease in size. Top drawer, if applicable, will remain the same size.
- All other cabinet configurations to be custom quoted.

Examples:

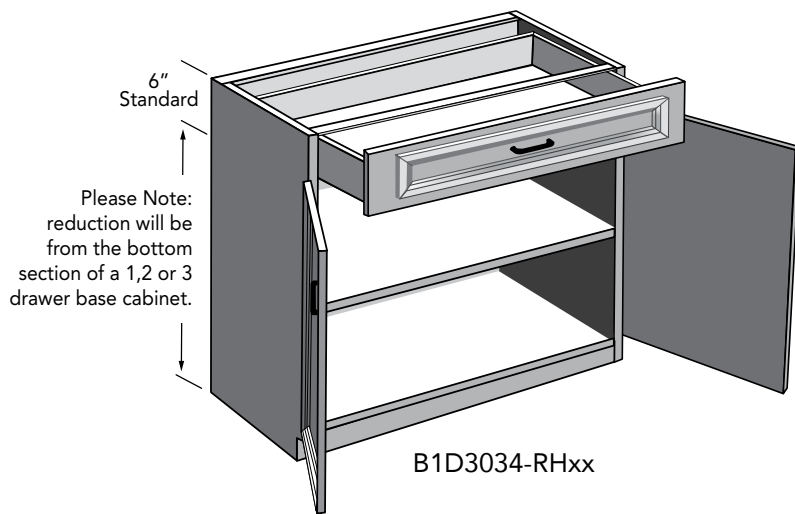


W3030-RHxx

Please Note:  
reduction will be  
from the top  
section only.



TU3690-RHxx



B1D3034-RHxx

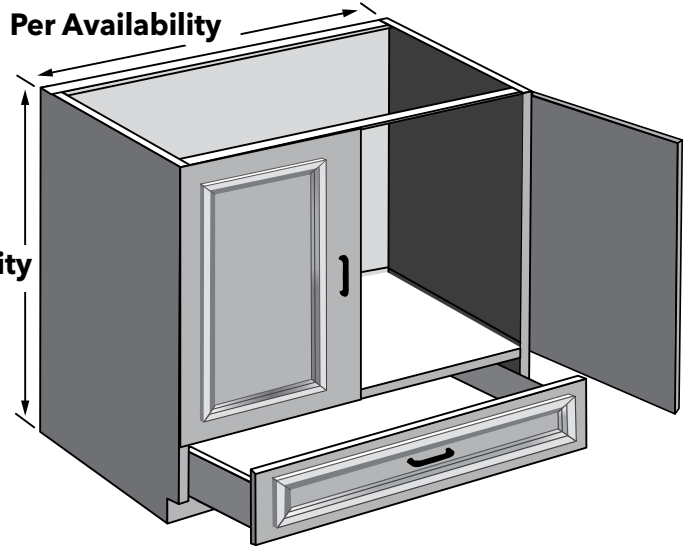
CODE	WALL	BASE	VANITY	TALL
RH	\$550	\$700	\$700	\$900

**SINK BASE & BASE WITH INVERTED DRAWER**

Available:

- B1D1234 - BID3934
- B2DD3034 - B2DD4234
- BSC1534 - BSC4234
- B1D1228 - BID3628
- VBSC1834 - VBSC4234
- VB1D1234 - VB1D3934
- VB2DD3034 - VB2DD4234
- Specify part number followed by modification code.  
Example: VB1D3634-IDF
- Note: Sink base units will not have a drawer box

A fixed bottom floor will be added above drawer box.

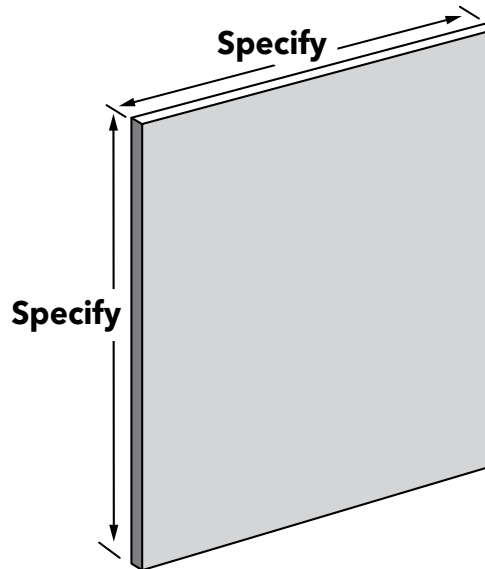


CODE	BASE	DESK	VANITY
IDF	\$400	\$400	\$400

**CUSTOM CUT PANELS, 3/4" & 1/4"**

Available:

- FP3496 (3/4")
- FP9634 (3/4")
- FP4834 (3/4")
- RP2696(3/4")
- FS4896 (1/4")
- All 3/4" Wall Panels
- All 3/4" Base Panels
- All 3/4" Tall Panels
- Specify part number to be cut, followed by modification code and size.  
Examples:  
FP3496-CCP3492 = 34" X 92" panel  
WFP42-FB-CCP1142 = 11" X 42" panel  
FS4896-CCP4170 = 41" X 70" panel
- Includes up to 2 cuts per panel.  
(custom quote needed on 3 or more cuts if using the same panel).



CODE	PANELS
CCP	\$200

All 3/4" panels will be edged on cut side.  
1/4" panels will not have edging.

# ENVOY

## CABINETRY

14325 Alondra Blvd, La Mirada, CA 90638 | Phone: 714.521.9171 | FAX: 714.521.9173 | www.envoycabinetry.com

### CUSTOM PRICE QUOTE REQUEST

For RW (reduce width), RH (reduce height), ID (increase depth), IW (increase width), IH (increase height) cabinets.

Custom cabinet box must use our standard size door & drawer front component parts. Please provide detailed drawings with complete dimension and header information. Please limit request to one cabinet per quote sheet.

Account Name & Salesperson:		Account #:	
Phone #:	Fax #:	Quote By:	Quote #: <small>office use only</small>
Door Style:	Color:	Hinge:	Standard      Soft Close
Cabinet Case:	3/4" White Furniture Board	3/4" Wood Grain Plywood	
Drawer System:	Standard Metal Drawer Box	Dovetail Drawer Box-Soft Close-Full Ext.	Deluxe Metal Drawer Box-Soft Close-Full Ext.
Cabinet Description:			Price: <small>(for office use only)</small>

**Total List Price:**  
(for office use only)

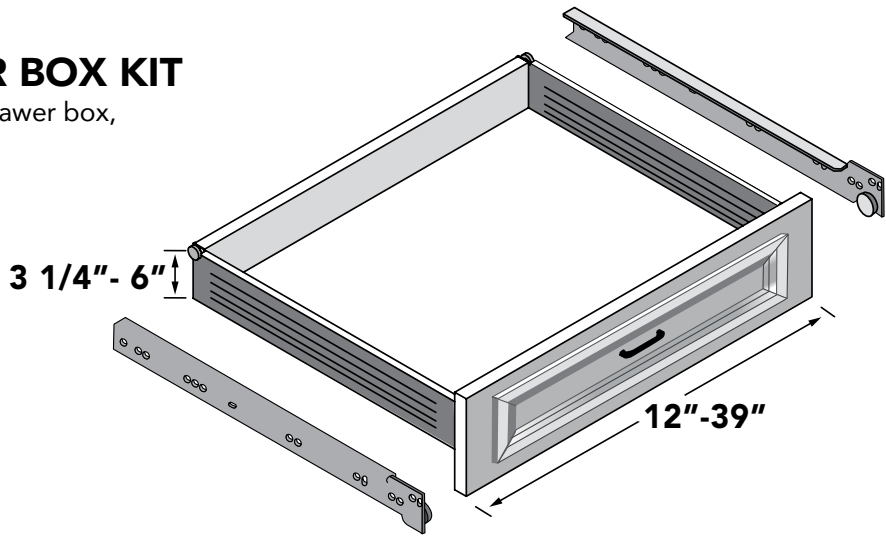
ANY CHANGES WILL VOID THIS QUOTE.

**SINGLE METAL DRAWER BOX KIT**

5/8" white bottom & back. Standard drawer box, sides and glides included.

**Drawer front not included.**

24" deep cabinets.



**Made for 6" Drawer Fronts**

3 1/4" high sides.

ITEM	DESCRIPTION	PRICE GROUP											
		01	02	03	04	05	06	07	08	09	10	11	12
SMDB12-S	12" drawer box for 6" high front	54	54	54	54	54	54	54	54	54	54	54	54
SMDB15-S	15" drawer box for 6" high front	59	59	59	59	59	59	59	59	59	59	59	59
SMDB18-S	18" drawer box for 6" high front	64	64	64	64	64	64	64	64	64	64	64	64
SMDB21-S	21" drawer box for 6" high front	69	69	69	69	69	69	69	69	69	69	69	69
SMDB24-S	24" drawer box for 6" high front	74	74	74	74	74	74	74	74	74	74	74	74
SMDB27-S	27" drawer box for 6" high front	79	79	79	79	79	79	79	79	79	79	79	79
SMDB30-S	30" drawer box for 6" high front	84	84	84	84	84	84	84	84	84	84	84	84
SMDB33-S	33" drawer box for 6" high front	89	89	89	89	89	89	89	89	89	89	89	89
SMDB36-S	36" drawer box for 6" high front	94	94	94	94	94	94	94	94	94	94	94	94
SMDB39-S	39" drawer box for 6" high front	99	99	99	99	99	99	99	99	99	99	99	99

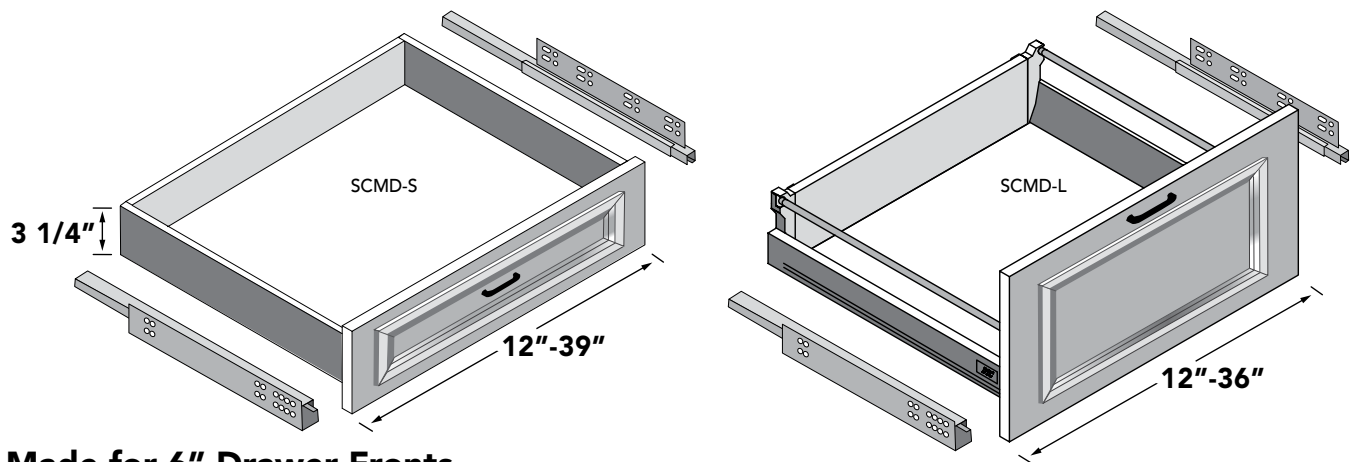
**Made for 12" & 15" Drawer Fronts**

6" high sides.

ITEM	DESCRIPTION	PRICE GROUP											
		01	02	03	04	05	06	07	08	09	10	11	12
SMDB12-L	12" drawer box for 12"-15" high front	63	63	63	63	63	63	63	63	63	63	63	63
SMDB15-L	15" drawer box for 12"-15" high front	68	68	68	68	68	68	68	68	68	68	68	68
SMDB18-L	18" drawer box for 12"-15" high front	74	74	74	74	74	74	74	74	74	74	74	74
SMDB21-L	21" drawer box for 12"-15" high front	80	80	80	80	80	80	80	80	80	80	80	80
SMDB24-L	24" drawer box for 12"-15" high front	85	85	85	85	85	85	85	85	85	85	85	85
SMDB27-L	27" drawer box for 12"-15" high front	91	91	91	91	91	91	91	91	91	91	91	91
SMDB30-L	30" drawer box for 12"-15" high front	96	96	96	96	96	96	96	96	96	96	96	96
SMDB33-L	33" drawer box for 12"-15" high front	102	102	102	102	102	102	102	102	102	102	102	102
SMDB36-L	36" drawer box for 12"-15" high front	108	108	108	108	108	108	108	108	108	108	108	108

## SOFT CLOSE METAL DRAWER BOX KIT

5/8" white bottom & back. Upgrade, drawer box sides and glides included. 6" drawer front has no rod, larger front has rod. **Drawer front not included.** 24" deep cabinets.



### Made for 6" Drawer Fronts

3 1/4" high sides.

ITEM	DESCRIPTION	PRICE GROUP											
		01	02	03	04	05	06	07	08	09	10	11	12
SCMD12-S	12" drawer box for 6" high front	188	188	188	188	188	188	188	188	188	188	188	188
SCMD15-S	15" drawer box for 6" high front	195	195	195	195	195	195	195	195	195	195	195	195
SCMD18-S	18" drawer box for 6" high front	201	201	201	201	201	201	201	201	201	201	201	201
SCMD21-S	21" drawer box for 6" high front	208	208	208	208	208	208	208	208	208	208	208	208
SCMD24-S	24" drawer box for 6" high front	215	215	215	215	215	215	215	215	215	215	215	215
SCMD27-S	27" drawer box for 6" high front	221	221	221	221	221	221	221	221	221	221	221	221
SCMD30-S	30" drawer box for 6" high front	228	228	228	228	228	228	228	228	228	228	228	228
SCMD33-S	33" drawer box for 6" high front	235	235	235	235	235	235	235	235	235	235	235	235
SCMD36-S	36" drawer box for 6" high front	241	241	241	241	241	241	241	241	241	241	241	241
SCMD39-S	39" drawer box for 6" high front	248	248	248	248	248	248	248	248	248	248	248	248

### Made for 12" & 15" Drawer Fronts

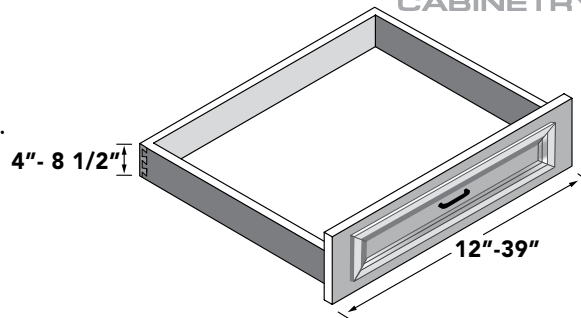
ITEM	DESCRIPTION	PRICE GROUP											
		01	02	03	04	05	06	07	08	09	10	11	12
SCMD12-L	12" drawer box for 12"-15" high front	210	210	210	210	210	210	210	210	210	210	210	210
SCMD15-L	15" drawer box for 12"-15" high front	219	219	219	219	219	219	219	219	219	219	219	219
SCMD18-L	18" drawer box for 12"-15" high front	227	227	227	227	227	227	227	227	227	227	227	227
SCMD21-L	21" drawer box for 12"-15" high front	239	239	239	239	239	239	239	239	239	239	239	239
SCMD24-L	24" drawer box for 12"-15" high front	248	248	248	248	248	248	248	248	248	248	248	248
SCMD27-L	27" drawer box for 12"-15" high front	256	256	256	256	256	256	256	256	256	256	256	256
SCMD30-L	30" drawer box for 12"-15" high front	265	265	265	265	265	265	265	265	265	265	265	265
SCMD33-L	33" drawer box for 12"-15" high front	274	274	274	274	274	274	274	274	274	274	274	274
SCMD36-L	36" drawer box for 12"-15" high front	283	283	283	283	283	283	283	283	283	283	283	283

## SOLID WOOD DOVETAIL DRAWER BOX

Wood dovetail drawer box. Upgrade. 24" deep cabinets.

**Drawer front not included.**

**Under mount slides not included.**



### Made for 6" Drawer Fronts

4" high sides.

ITEM	DESCRIPTION	PRICE GROUP											
		01	02	03	04	05	06	07	08	09	10	11	12
SCDT12-S	12" drawer box for 6" high front	143	143	143	143	143	143	143	143	143	143	143	143
SCDT15-S	15" drawer box for 6" high front	150	150	150	150	150	150	150	150	150	150	150	150
SCDT18-S	18" drawer box for 6" high front	156	156	156	156	156	156	156	156	156	156	156	156
SCDT21-S	21" drawer box for 6" high front	163	163	163	163	163	163	163	163	163	163	163	163
SCDT24-S	24" drawer box for 6" high front	170	170	170	170	170	170	170	170	170	170	170	170
SCDT27-S	27" drawer box for 6" high front	176	176	176	176	176	176	176	176	176	176	176	176
SCDT30-S	30" drawer box for 6" high front	183	183	183	183	183	183	183	183	183	183	183	183
SCDT33-S	33" drawer box for 6" high front	190	190	190	190	190	190	190	190	190	190	190	190
SCDT36-S	36" drawer box for 6" high front	196	196	196	196	196	196	196	196	196	196	196	196
SCDT39-S	39" drawer box for 6" high front	203	203	203	203	203	203	203	203	203	203	203	203

### Made for 12" Drawer Fronts

6" high sides.

ITEM	DESCRIPTION	PRICE GROUP											
		01	02	03	04	05	06	07	08	09	10	11	12
SCDT12-L	12" drawer box for 12" high front	151	151	151	151	151	151	151	151	151	151	151	151
SCDT15-L	15" drawer box for 12" high front	160	160	160	160	160	160	160	160	160	160	160	160
SCDT18-L	18" drawer box for 12" high front	168	168	168	168	168	168	168	168	168	168	168	168
SCDT21-L	21" drawer box for 12" high front	177	177	177	177	177	177	177	177	177	177	177	177
SCDT24-L	24" drawer box for 12" high front	186	186	186	186	186	186	186	186	186	186	186	186
SCDT27-L	27" drawer box for 12" high front	194	194	194	194	194	194	194	194	194	194	194	194
SCDT30-L	30" drawer box for 12" high front	203	203	203	203	203	203	203	203	203	203	203	203
SCDT33-L	33" drawer box for 12" high front	212	212	212	212	212	212	212	212	212	212	212	212
SCDT36-L	36" drawer box for 12" high front	212	212	212	212	212	212	212	212	212	212	212	212

### Made for 15" Drawer Fronts

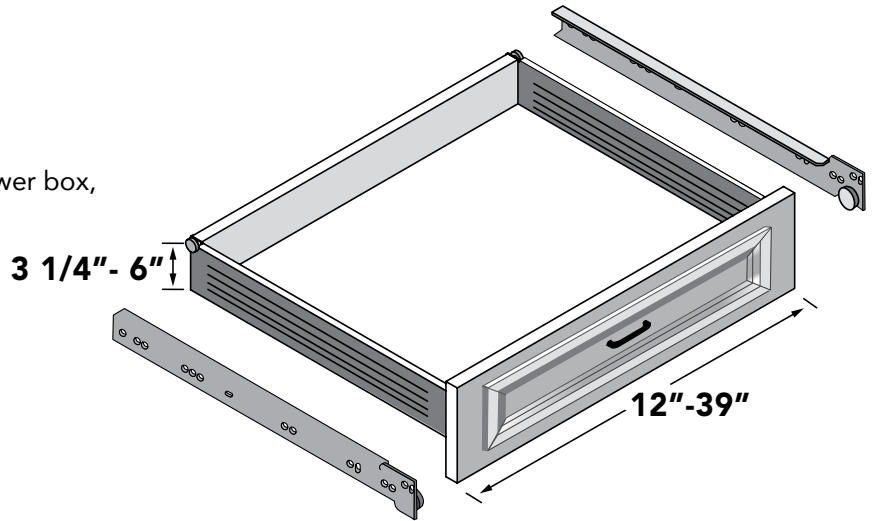
8 1/2" high sides.

ITEM	DESCRIPTION	PRICE GROUP											
		01	02	03	04	05	06	07	08	09	10	11	12
SCDT12-XL	12" drawer box for 15" high front	155	155	155	155	155	155	155	155	155	155	155	155
SCDT15-XL	15" drawer box for 15" high front	165	165	165	165	165	165	165	165	165	165	165	165
SCDT18-XL	18" drawer box for 15" high front	174	174	174	174	174	174	174	174	174	174	174	174
SCDT21-XL	21" drawer box for 15" high front	184	184	184	184	184	184	184	184	184	184	184	184
SCDT24-XL	24" drawer box for 15" high front	194	194	194	194	194	194	194	194	194	194	194	194
SCDT27-XL	27" drawer box for 15" high front	203	203	203	203	203	203	203	203	203	203	203	203
SCDT30-XL	30" drawer box for 15" high front	213	213	213	213	213	213	213	213	213	213	213	213
SCDT36-XL	36" drawer box for 15" high front	223	223	223	223	223	223	223	223	223	223	223	223



**VANITY SINGLE METAL  
DRAWER BOX KIT**

5/8" white bottom & back. Standard drawer box, sides and glides included.  
**Drawer front not included.**  
21" deep cabinets.



**Made for 6" Drawer Fronts**  
3 1/4" high sides.

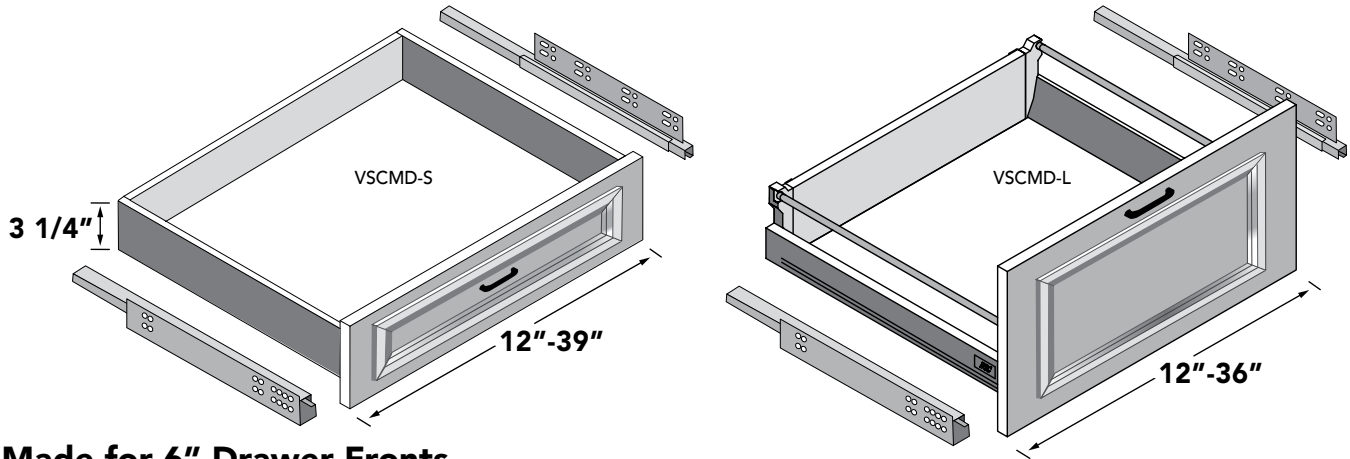
ITEM	DESCRIPTION	PRICE GROUP											
		01	02	03	04	05	06	07	08	09	10	11	12
VSMDB12-S	12" drawer box for 6" high front	45	45	45	45	45	45	45	45	45	45	45	45
VSMDB15-S	15" drawer box for 6" high front	50	50	50	50	50	50	50	50	50	50	50	50
VSMDB18-S	18" drawer box for 6" high front	55	55	55	55	55	55	55	55	55	55	55	55
VSMDB21-S	21" drawer box for 6" high front	59	59	59	59	59	59	59	59	59	59	59	59
VSMDB24-S	24" drawer box for 6" high front	64	64	64	64	64	64	64	64	64	64	64	64
VSMDB27-S	27" drawer box for 6" high front	70	70	70	70	70	70	70	70	70	70	70	70
VSMDB30-S	30" drawer box for 6" high front	76	76	76	76	76	76	76	76	76	76	76	76
VSMDB33-S	33" drawer box for 6" high front	83	83	83	83	83	83	83	83	83	83	83	83
VSMDB36-S	36" drawer box for 6" high front	89	89	89	89	89	89	89	89	89	89	89	89
VSMDB39-S	39" drawer box for 6" high front	99	99	99	99	99	99	99	99	99	99	99	99

**Made for 12" & 15" Drawer Fronts**  
6" high sides.

ITEM	DESCRIPTION	PRICE GROUP											
		01	02	03	04	05	06	07	08	09	10	11	12
VSMDB12-L	12" drawer box for 12"-15" high front	56	56	56	56	56	56	56	56	56	56	56	56
VSMDB15-L	15" drawer box for 12"-15" high front	61	61	61	61	61	61	61	61	61	61	61	61
VSMDB18-L	18" drawer box for 12"-15" high front	66	66	66	66	66	66	66	66	66	66	66	66
VSMDB21-L	21" drawer box for 12"-15" high front	71	71	71	71	71	71	71	71	71	71	71	71
VSMDB24-L	24" drawer box for 12"-15" high front	76	76	76	76	76	76	76	76	76	76	76	76
VSMDB27-L	27" drawer box for 12"-15" high front	81	81	81	81	81	81	81	81	81	81	81	81
VSMDB30-L	30" drawer box for 12"-15" high front	86	86	86	86	86	86	86	86	86	86	86	86
VSMDB33-L	33" drawer box for 12"-15" high front	92	92	92	92	92	92	92	92	92	92	92	92
VSMDB36-L	36" drawer box for 12"-15" high front	97	97	97	97	97	97	97	97	97	97	97	97

## VANITY SOFT CLOSE METAL DRAWER BOX KIT

5/8" white bottom & back. Upgrade, drawer box sides and glides included. 6" drawer front has no rod, larger front has rod. **Drawer front not included.** 21" deep cabinets.



### Made for 6" Drawer Fronts

3 1/4" high sides.

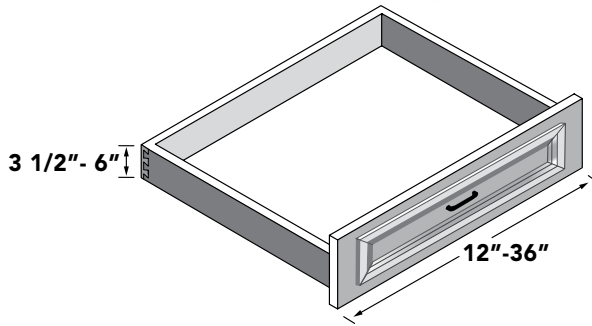
ITEM	DESCRIPTION	PRICE GROUP											
		01	02	03	04	05	06	07	08	09	10	11	12
VSCMD12-S	12" drawer box for 6" high front	178	178	178	178	178	178	178	178	178	178	178	178
VSCMD15-S	15" drawer box for 6" high front	185	185	185	185	185	185	185	185	185	185	185	185
VSCMD18-S	18" drawer box for 6" high front	191	191	191	191	191	191	191	191	191	191	191	191
VSCMD21-S	21" drawer box for 6" high front	198	198	198	198	198	198	198	198	198	198	198	198
VSCMD24-S	24" drawer box for 6" high front	205	205	205	205	205	205	205	205	205	205	205	205
VSCMD27-S	27" drawer box for 6" high front	211	211	211	211	211	211	211	211	211	211	211	211
VSCMD30-S	30" drawer box for 6" high front	218	218	218	218	218	218	218	218	218	218	218	218
VSCMD33-S	33" drawer box for 6" high front	225	225	225	225	225	225	225	225	225	225	225	225
VSCMD36-S	36" drawer box for 6" high front	231	231	231	231	231	231	231	231	231	231	231	231
VSCMD39-S	39" drawer box for 6" high front	236	236	236	236	236	236	236	236	236	236	236	236

### Made for 12" & 15" Drawer Fronts

ITEM	DESCRIPTION	PRICE GROUP											
		01	02	03	04	05	06	07	08	09	10	11	12
VSCMD12-L	12" drawer box for 12"-15" high front	186	186	186	186	186	186	186	186	186	186	186	186
VSCMD15-L	15" drawer box for 12"-15" high front	195	195	195	195	195	195	195	195	195	195	195	195
VSCMD18-L	18" drawer box for 12"-15" high front	203	203	203	203	203	203	203	203	203	203	203	203
VSCMD21-L	21" drawer box for 12"-15" high front	211	211	211	211	211	211	211	211	211	211	211	211
VSCMD24-L	24" drawer box for 12"-15" high front	219	219	219	219	219	219	219	219	219	219	219	219
VSCMD27-L	27" drawer box for 12"-15" high front	227	227	227	227	227	227	227	227	227	227	227	227
VSCMD30-L	30" drawer box for 12"-15" high front	235	235	235	235	235	235	235	235	235	235	235	235
VSCMD33-L	33" drawer box for 12"-15" high front	243	243	243	243	243	243	243	243	243	243	243	243
VSCMD36-L	36" drawer box for 12"-15" high front	251	251	251	251	251	251	251	251	251	251	251	251

**VANITY SOFT CLOSE SOLID WOOD DOVETAIL DRAWER BOX**

Wood dovetail drawer box. Upgrade. 21" deep cabinets. **Drawer front not included.**  
**Under mount slides not included.**



**Made for 6" Drawer Fronts**

4" high sides.

ITEM	DESCRIPTION	PRICE GROUP											
		01	02	03	04	05	06	07	08	09	10	11	12
VSCDT12-S	12" drawer box for 6" high front	123	123	123	123	123	123	123	123	123	123	123	123
VSCDT15-S	15" drawer box for 6" high front	130	130	130	130	130	130	130	130	130	130	130	130
VSCDT18-S	18" drawer box for 6" high front	136	136	136	136	136	136	136	136	136	136	136	136
VSCDT21-S	21" drawer box for 6" high front	143	143	143	143	143	143	143	143	143	143	143	143
VSCDT24-S	24" drawer box for 6" high front	150	150	150	150	150	150	150	150	150	150	150	150
VSCDT27-S	27" drawer box for 6" high front	157	157	157	157	157	157	157	157	157	157	157	157
VSCDT30-S	30" drawer box for 6" high front	164	164	164	164	164	164	164	164	164	164	164	164
VSCDT33-S	33" drawer box for 6" high front	171	171	171	171	171	171	171	171	171	171	171	171
VSCDT36-S	36" drawer box for 6" high front	178	178	178	178	178	178	178	178	178	178	178	178
VSCDT39-S	39" drawer box for 6" high front	188	188	188	188	188	188	188	188	188	188	188	188

**Made for 6" Drawer Fronts**

3 1/2" high sides.

ITEM	DESCRIPTION	PRICE GROUP											
		01	02	03	04	05	06	07	08	09	10	11	12
VSCDT21-S2	21" drawer box for VDD	143	143	143	143	143	143	143	143	143	143	143	143
VSCDT24-S2	24" drawer box for VDD	150	150	150	150	150	150	150	150	150	150	150	150
VSCDT27-S2	27" drawer box for VDD	157	157	157	157	157	157	157	157	157	157	157	157
VSCDT30-S2	30" drawer box for VDD	164	164	164	164	164	164	164	164	164	164	164	164
VSCDT33-S2	33" drawer box for VDD	171	171	171	171	171	171	171	171	171	171	171	171
VSCDT36-S2	36" drawer box for VDD	178	178	178	178	178	178	178	178	178	178	178	178

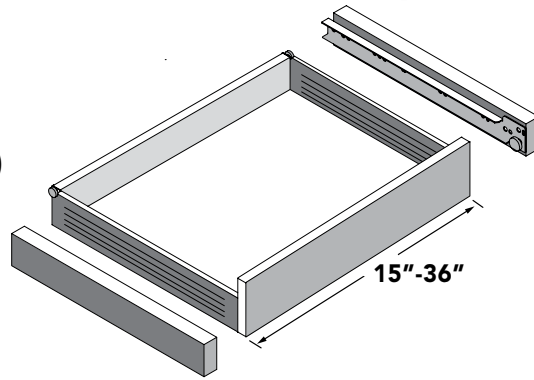
**Made for 12" & 15" Drawer Fronts**

6" high sides.

ITEM	DESCRIPTION	PRICE GROUP											
		01	02	03	04	05	06	07	08	09	10	11	12
VSCDT12-L	12" drawer box for 12"-15" high front	131	131	131	131	131	131	131	131	131	131	131	131
VSCDT15-L	15" drawer box for 12"-15" high front	140	140	140	140	140	140	140	140	140	140	140	140
VSCDT18-L	18" drawer box for 12"-15" high front	148	148	148	148	148	148	148	148	148	148	148	148
VSCDT21-L	21" drawer box for 12"-15" high front	157	157	157	157	157	157	157	157	157	157	157	157
VSCDT24-L	24" drawer box for 12"-15" high front	166	166	166	166	166	166	166	166	166	166	166	166
VSCDT27-L	27" drawer box for 12"-15" high front	175	175	175	175	175	175	175	175	175	175	175	175
VSCDT30-L	30" drawer box for 12"-15" high front	184	184	184	184	184	184	184	184	184	184	184	184
VSCDT33-L	33" drawer box for 12"-15" high front	193	193	193	193	193	193	193	193	193	193	193	193
VSCDT36-L	36" drawer box for 12"-15" high front	202	202	202	202	202	202	202	202	202	202	202	202

**SINGLE METAL DRAWER BOX  
ROLLOUT KIT (FURNITURE BOARD)**

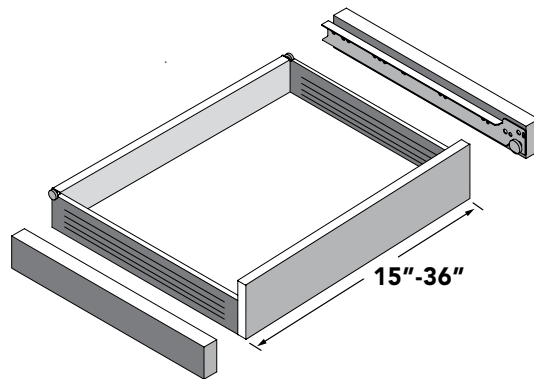
Includes parts for mounting into base or tall cabinets.  
24" deep cabinets. FB = white.



ITEM	DESCRIPTION	PRICE GROUP											
		01	02	03	04	05	06	07	08	09	10	11	12
ROT-SMDB15-FB	15" wide Roll out Tray Kit for FB	84	84	84	84	84	84	84	84	84	84	84	84
ROT-SMDB18-FB	18" wide Roll out Tray Kit for FB	90	90	90	90	90	90	90	90	90	90	90	90
ROT-SMDB21-FB	21" wide Roll out Tray Kit for FB	96	96	96	96	96	96	96	96	96	96	96	96
ROT-SMDB24-FB	24" wide Roll out Tray Kit for FB	102	102	102	102	102	102	102	102	102	102	102	102
ROT-SMDB27-FB	27" wide Roll out Tray Kit for FB	108	108	108	108	108	108	108	108	108	108	108	108
ROT-SMDB30-FB	30" wide Roll out Tray Kit for FB	113	113	113	113	113	113	113	113	113	113	113	113
ROT-SMDB33-FB	33" wide Roll out Tray Kit for FB	119	119	119	119	119	119	119	119	119	119	119	119
ROT-SMDB36-FB	36" wide Roll out Tray Kit for FB	125	125	125	125	125	125	125	125	125	125	125	125

**SINGLE METAL DRAWER BOX  
ROLLOUT KIT (PLYWOOD)**

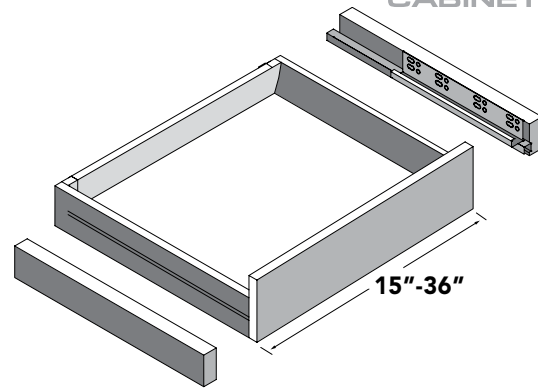
Includes parts for mounting into base or tall cabinets.  
24" deep cabinets. PL = wood.



ITEM	DESCRIPTION	PRICE GROUP											
		01	02	03	04	05	06	07	08	09	10	11	12
ROT-SMDB15-PL	15" wide Roll out Tray Kit for PL	91	91	91	91	91	91	91	91	91	91	91	91
ROT-SMDB18-PL	18" wide Roll out Tray Kit for PL	96	96	96	96	96	96	96	96	96	96	96	96
ROT-SMDB21-PL	21" wide Roll out Tray Kit for PL	102	102	102	102	102	102	102	102	102	102	102	102
ROT-SMDB24-PL	24" wide Roll out Tray Kit for PL	108	108	108	108	108	108	108	108	108	108	108	108
ROT-SMDB27-PL	27" wide Roll out Tray Kit for PL	114	114	114	114	114	114	114	114	114	114	114	114
ROT-SMDB30-PL	30" wide Roll out Tray Kit for PL	120	120	120	120	120	120	120	120	120	120	120	120
ROT-SMDB33-PL	33" wide Roll out Tray Kit for PL	126	126	126	126	126	126	126	126	126	126	126	126
ROT-SMDB36-PL	36" wide Roll out Tray Kit for PL	131	131	131	131	131	131	131	131	131	131	131	131

## SOFT CLOSE METAL DRAWER BOX ROLLOUT KIT (FURNITURE BOARD)

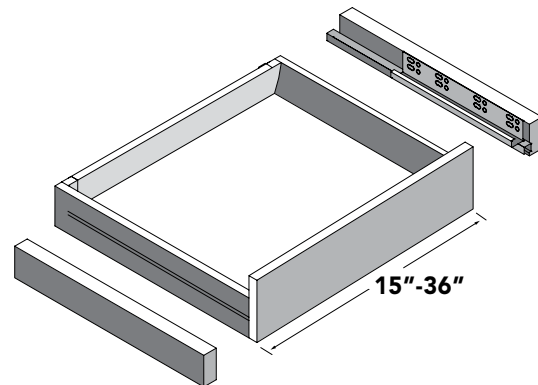
Includes parts for mounting into base or tall cabinets.  
24" deep cabinets. FB = white.



ITEM	DESCRIPTION	PRICE GROUP											
		01	02	03	04	05	06	07	08	09	10	11	12
ROT-SCMD15-FB	15" wide Roll out Tray Kit for FB	190	190	190	190	190	190	190	190	190	190	190	190
ROT-SCMD18-FB	18" wide Roll out Tray Kit for FB	196	196	196	196	196	196	196	196	196	196	196	196
ROT-SCMD21-FB	21" wide Roll out Tray Kit for FB	202	202	202	202	202	202	202	202	202	202	202	202
ROT-SCMD24-FB	24" wide Roll out Tray Kit for FB	207	207	207	207	207	207	207	207	207	207	207	207
ROT-SCMD27-FB	27" wide Roll out Tray Kit for FB	213	213	213	213	213	213	213	213	213	213	213	213
ROT-SCMD30-FB	30" wide Roll out Tray Kit for FB	219	219	219	219	219	219	219	219	219	219	219	219
ROT-SCMD33-FB	33" wide Roll out Tray Kit for FB	224	224	224	224	224	224	224	224	224	224	224	224
ROT-SCMD36-FB	36" wide Roll out Tray Kit for FB	230	230	230	230	230	230	230	230	230	230	230	230

## SOFT CLOSE METAL DRAWER BOX ROLLOUT KIT (PLYWOOD)

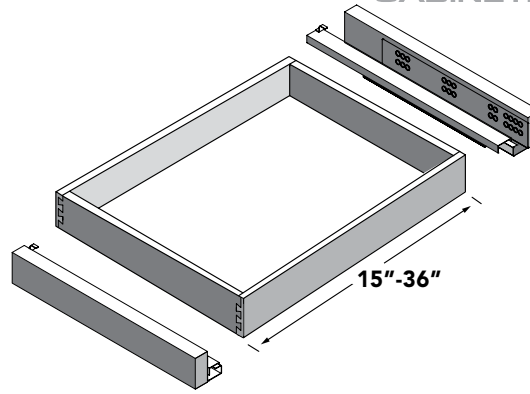
Includes parts for mounting into base or tall cabinets.  
24" deep cabinets. PL = wood.



ITEM	DESCRIPTION	PRICE GROUP											
		01	02	03	04	05	06	07	08	09	10	11	12
ROT-SCMD15-PL	15" wide Roll out Tray Kit for PL	197	197	197	197	197	197	197	197	197	197	197	197
ROT-SCMD18-PL	18" wide Roll out Tray Kit for PL	202	202	202	202	202	202	202	202	202	202	202	202
ROT-SCMD21-PL	21" wide Roll out Tray Kit for PL	208	208	208	208	208	208	208	208	208	208	208	208
ROT-SCMD24-PL	24" wide Roll out Tray Kit for PL	214	214	214	214	214	214	214	214	214	214	214	214
ROT-SCMD27-PL	27" wide Roll out Tray Kit for PL	219	219	219	219	219	219	219	219	219	219	219	219
ROT-SCMD30-PL	30" wide Roll out Tray Kit for PL	225	225	225	225	225	225	225	225	225	225	225	225
ROT-SCMD33-PL	33" wide Roll out Tray Kit for PL	231	231	231	231	231	231	231	231	231	231	231	231
ROT-SCMD36-PL	36" wide Roll out Tray Kit for PL	236	236	236	236	236	236	236	236	236	236	236	236

**SOFT CLOSE SOLID WOOD  
DOVETAIL DRAWER BOX  
ROLLOUT KIT (FURNITURE BOARD)**

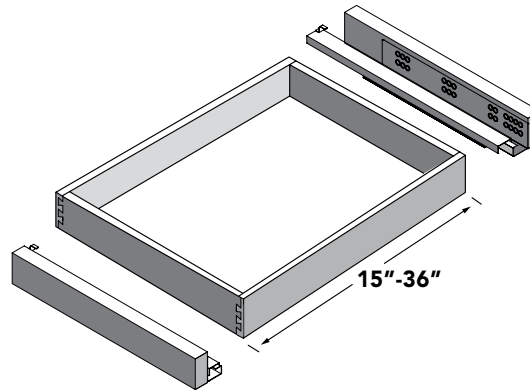
Includes parts for mounting into base or tall cabinets.  
24" deep cabinets. FB = white.



ITEM	DESCRIPTION	PRICE GROUP											
		01	02	03	04	05	06	07	08	09	10	11	12
ROT-SCDT15-FB	15" wide Roll out Tray Kit for FB	149	149	149	149	149	149	149	149	149	149	149	149
ROT-SCDT18-FB	18" wide Roll out Tray Kit for FB	157	157	157	157	157	157	157	157	157	157	157	157
ROT-SCDT21-FB	21" wide Roll out Tray Kit for FB	165	165	165	165	165	165	165	165	165	165	165	165
ROT-SCDT24-FB	24" wide Roll out Tray Kit for FB	173	173	173	173	173	173	173	173	173	173	173	173
ROT-SCDT27-FB	27" wide Roll out Tray Kit for FB	181	181	181	181	181	181	181	181	181	181	181	181
ROT-SCDT30-FB	30" wide Roll out Tray Kit for FB	189	189	189	189	189	189	189	189	189	189	189	189
ROT-SCDT33-FB	33" wide Roll out Tray Kit for FB	196	196	196	196	196	196	196	196	196	196	196	196
ROT-SCDT36-FB	36" wide Roll out Tray Kit for FB	204	204	204	204	204	204	204	204	204	204	204	204

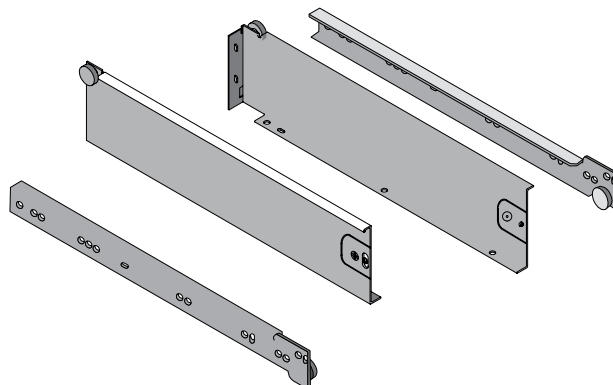
**SOFT CLOSE SOLID WOOD  
DOVETAIL DRAWER BOX  
ROLLOUT KIT (PLYWOOD)**

Includes parts for mounting into base or tall cabinets.  
24" deep cabinets. PL = wood.



ITEM	DESCRIPTION	PRICE GROUP											
		01	02	03	04	05	06	07	08	09	10	11	12
ROT-SCDT15-PL	15" wide Roll out Tray Kit for PL	156	156	156	156	156	156	156	156	156	156	156	156
ROT-SCDT18-PL	18" wide Roll out Tray Kit for PL	164	164	164	164	164	164	164	164	164	164	164	164
ROT-SCDT21-PL	21" wide Roll out Tray Kit for PL	171	171	171	171	171	171	171	171	171	171	171	171
ROT-SCDT24-PL	24" wide Roll out Tray Kit for PL	179	179	179	179	179	179	179	179	179	179	179	179
ROT-SCDT27-PL	27" wide Roll out Tray Kit for PL	187	187	187	187	187	187	187	187	187	187	187	187
ROT-SCDT30-PL	30" wide Roll out Tray Kit for PL	195	195	195	195	195	195	195	195	195	195	195	195
ROT-SCDT33-PL	33" wide Roll out Tray Kit for PL	202	202	202	202	202	202	202	202	202	202	202	202
ROT-SCDT36-PL	36" wide Roll out Tray Kit for PL	210	210	210	210	210	210	210	210	210	210	210	210

**SINGLE METAL  
DRAWER SLIDES**

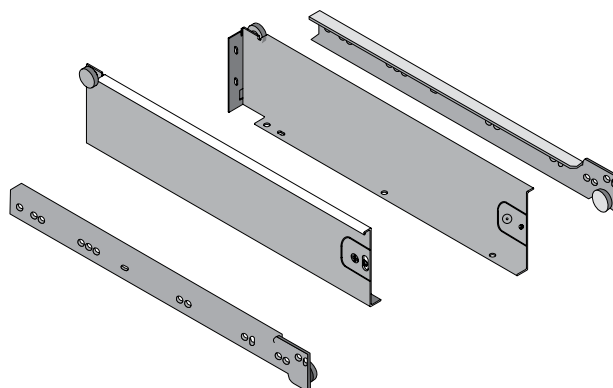


**Made for 6" Drawer Fronts**

3 1/4" high sides.

ITEM	DESCRIPTION	PRICE GROUP											
		01	02	03	04	05	06	07	08	09	10	11	12
SMD12S	Minimum size depth = 13"	25	25	25	25	25	25	25	25	25	25	25	25
SMD14S	Minimum size depth = 15"	27	27	27	27	27	27	27	27	27	27	27	27
SMD18S	Minimum size depth = 19"	31	31	31	31	31	31	31	31	31	31	31	31
SMD20S	Minimum size depth = 21"	38	38	38	38	38	38	38	38	38	38	38	38

**SINGLE METAL  
DRAWER SLIDES**

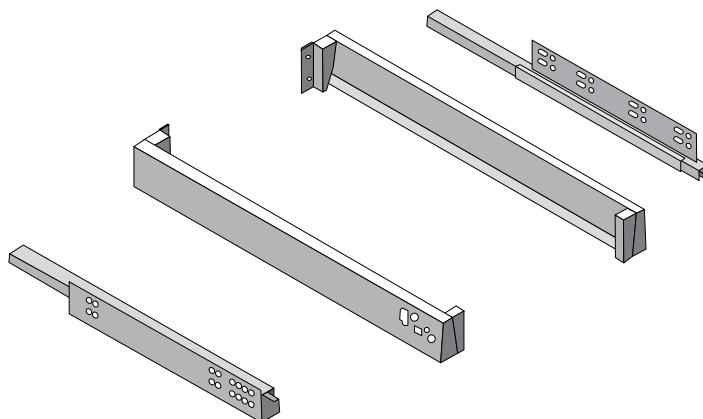


**Made for 12" & 15" Drawer Fronts**

6" high sides.

ITEM	DESCRIPTION	PRICE GROUP											
		01	02	03	04	05	06	07	08	09	10	11	12
SMD12L	Minimum size depth = 13"	33	33	33	33	33	33	33	33	33	33	33	33
SMD14L	Minimum size depth = 15"	36	36	36	36	36	36	36	36	36	36	36	36
SMD18L	Minimum size depth = 19"	39	39	39	39	39	39	39	39	39	39	39	39
SMD20L	Minimum size depth = 21"	45	45	45	45	45	45	45	45	45	45	45	45

**SOFT CLOSE METAL  
DRAWER SLIDES**

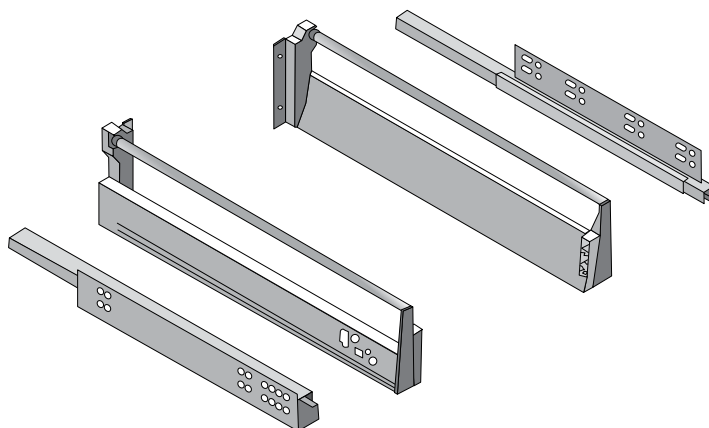


**Made for 6" Drawer Fronts**

3 1/4" high sides.

ITEM	DESCRIPTION	PRICE GROUP											
		01	02	03	04	05	06	07	08	09	10	11	12
SCMD12S	Minimum size depth = 13"	120	120	120	120	120	120	120	120	120	120	120	120
SCMD14S	Minimum size depth = 15"	127	127	127	127	127	127	127	127	127	127	127	127
SCMD18S	Minimum size depth = 19"	141	141	141	141	141	141	141	141	141	141	141	141
SCMD20S	Minimum size depth = 21"	148	148	148	148	148	148	148	148	148	148	148	148

**SOFT CLOSE METAL  
DRAWER SLIDES**



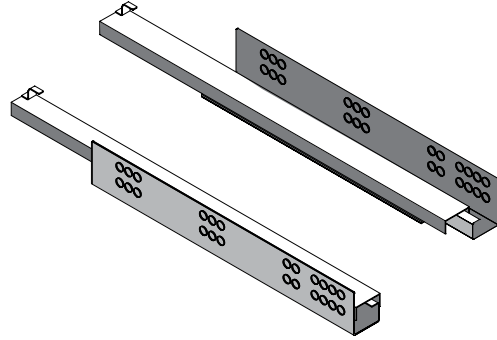
**Made for 12" & 15" Drawer Fronts**

6" high sides.

ITEM	DESCRIPTION	PRICE GROUP											
		01	02	03	04	05	06	07	08	09	10	11	12
SCMD12L	Minimum size depth = 13"	137	137	137	137	137	137	137	137	137	137	137	137
SCMD14L	Minimum size depth = 15"	144	144	144	144	144	144	144	144	144	144	144	144
SCMD18L	Minimum size depth = 19"	158	158	158	158	158	158	158	158	158	158	158	158
SCMD20L	Minimum size depth = 21"	165	165	165	165	165	165	165	165	165	165	165	165

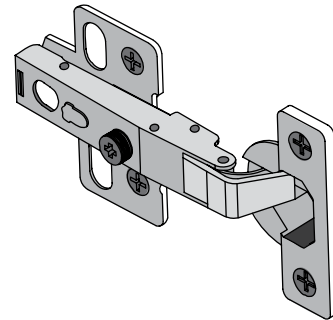


**UNDERMOUNT SOFT CLOSE  
DRAWER GLIDES**



ITEM	DESCRIPTION	PRICE GROUP											
		01	02	03	04	05	06	07	08	09	10	11	12
USCG10	Minimum size depth = 12"	51	51	51	51	51	51	51	51	51	51	51	51
USCG12	Minimum size depth = 14"	56	56	56	56	56	56	56	56	56	56	56	56
USCG14	Minimum size depth = 16"	63	63	63	63	63	63	63	63	63	63	63	63
USCG18	Minimum size depth = 20"	59	59	59	59	59	59	59	59	59	59	59	59
USCG21	Minimum size depth = 23"	71	71	71	71	71	71	71	71	71	71	71	71

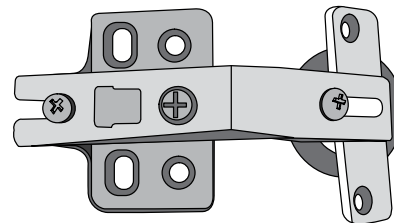
**STANDARD 110° HINGE**



ITEM	DESCRIPTION	PRICE GROUP											
		01	02	03	04	05	06	07	08	09	10	11	12
H110	Standard Hinge	5	5	5	5	5	5	5	5	5	5	5	5

**CORNER DOOR-DOOR 135° HINGE**

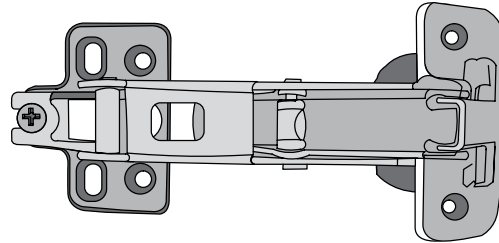
Upgrade. Door to door application.



ITEM	DESCRIPTION	PRICE GROUP											
		01	02	03	04	05	06	07	08	09	10	11	12
H135	Hinge - WER/BER/BLSS/BLSM	10	10	10	10	10	10	10	10	10	10	10	10

**CORNER DOOR-CASE HINGE**

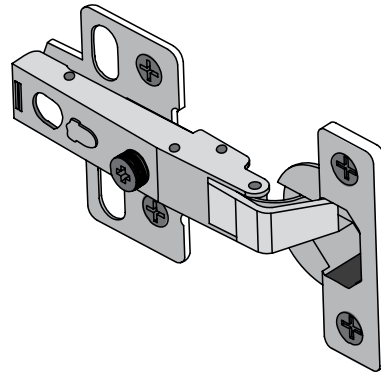
Upgrade. Door to case application.



ITEM	DESCRIPTION	PRICE GROUP											
		01	02	03	04	05	06	07	08	09	10	11	12
H165	Hinge - WER/BER/BLSS/BLSM/WDC	8	8	8	8	8	8	8	8	8	8	8	8

**SOFT CLOSE 110° HINGE**

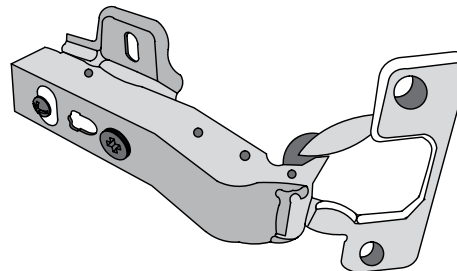
Upgrade.



ITEM	DESCRIPTION	PRICE GROUP											
		01	02	03	04	05	06	07	08	09	10	11	12
SCH110	Soft Close Hinge	13	13	13	13	13	13	13	13	13	13	13	13

**DIAGONAL SOFT CLOSE HINGE**

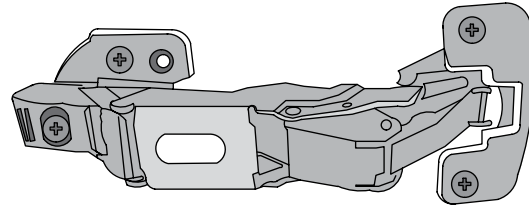
Upgrade.



ITEM	DESCRIPTION	PRICE GROUP											
		01	02	03	04	05	06	07	08	09	10	11	12
SCH45	Soft Close Hinge - WDC only	12	12	12	12	12	12	12	12	12	12	12	12

**SOFT CLOSE CORNER DOOR-CASE HINGE**

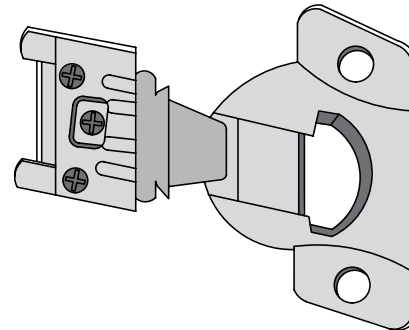
Upgrade. Door to case application.



ITEM	DESCRIPTION	PRICE GROUP											
		01	02	03	04	05	06	07	08	09	10	11	12
SCH165	Soft Close Hinge - WER/BER/BLSS/BLSM	14	14	14	14	14	14	14	14	14	14	14	14

**FACE FRAME HINGE**

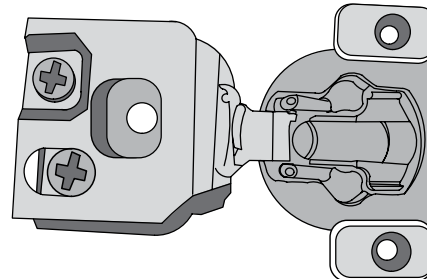
Upgrade. Use for face frame application.



ITEM	DESCRIPTION	PRICE GROUP											
		01	02	03	04	05	06	07	08	09	10	11	12
MH	Face Frame Hinge	4	4	4	4	4	4	4	4	4	4	4	4

**FACE FRAME SOFT CLOSE HINGE**

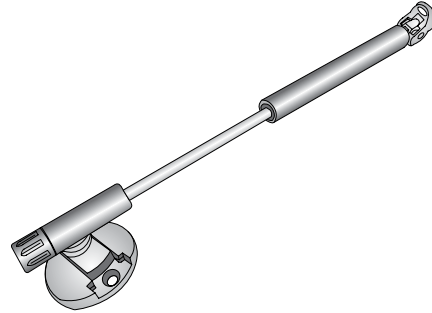
Upgrade. Use for face frame application.



ITEM	DESCRIPTION	PRICE GROUP											
		01	02	03	04	05	06	07	08	09	10	11	12
SCMH	Soft Close Face Frame Hinge	7	7	7	7	7	7	7	7	7	7	7	7

**LIFT-UP HINGE WITH STAY**

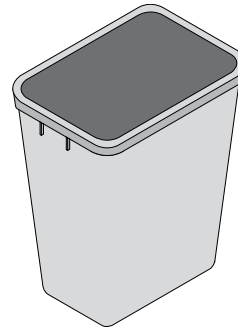
Upgrade.



ITEM	DESCRIPTION	PRICE GROUP											
		01	02	03	04	05	06	07	08	09	10	11	12
AC	Lift-up Hinge with Stay	31	31	31	31	31	31	31	31	31	31	31	31

**WASTE BASKET**

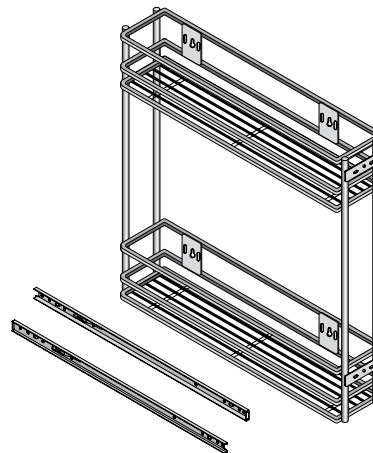
Upgrade.



ITEM	DESCRIPTION	PRICE GROUP											
		01	02	03	04	05	06	07	08	09	10	11	12
WB	Waste Basket	45	45	45	45	45	45	45	45	45	45	45	45

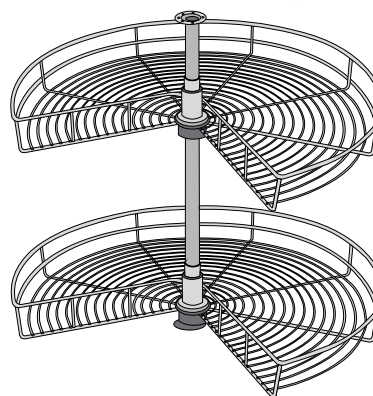
**BASE PULL-OUT RACK**

Upgrade.



ITEM	DESCRIPTION	PRICE GROUP											
		01	02	03	04	05	06	07	08	09	10	11	12
BPO9	Base Pull-Out Rack	222	222	222	222	222	222	222	222	222	222	222	222
BPO12	Base Pull-Out Rack	231	231	231	231	231	231	231	231	231	231	231	231

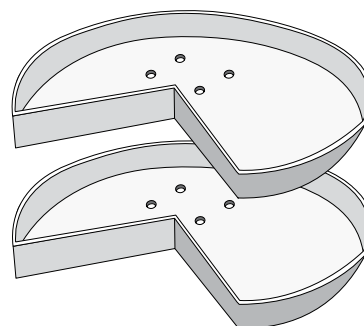
**BASE LAZY SUSAN METAL**



ITEM	DESCRIPTION	PRICE GROUP												
		01	02	03	04	05	06	07	08	09	10	11	12	
LSM	Lazy Susan Metal For BLSM	327	327	327	327	327	327	327	327	327	327	327	327	327

**BASE LAZY SUSAN (WOOD)**

Shelf not included. Fits in LS33 and LS36 cabinets.



ITEM	DESCRIPTION	PRICE GROUP												
		01	02	03	04	05	06	07	08	09	10	11	12	
LSS33	Lazy Susan Wood For BLSS	570	570	570	570	570	570	570	570	570	570	570	570	570

**18" DIAMETER ROUND PLASTIC LAZY SUSAN SET (WALL DIAGONAL)**

Includes 2 shelves and 1 mounting pole. Mounting hardware and instructions included. Lazy susan shelf is made from High Impact Polystyrene with smooth tray surface, and has 9/16" inside rim height and 1 7/16" overall height. Stainless steel pole and white polymer hubs, adjustable for cabinets with 22 1/2" - 36" interior heights. For wall diagonal cabinet.



ITEM	DESCRIPTION	PRICE GROUP												
		01	02	03	04	05	06	07	08	09	10	11	12	
APLSR18	18" Diameter Round Plastic Lazy Susan Set (Wall Diagonal)	142	142	142	142	142	142	142	142	142	142	142	142	142

**18" ROUND BANDED LAZY SUSAN SET (WALL DIAGONAL)**

Includes 2 shelves, 1 mounting pole, mounting hardware, and instructions. Lazy susan shelf is made from Poplar plywood with smooth UV tray surface. The trays have a 1" inside rim height and 1 9/16" overall height. Stainless steel pole and beige polymer hubs, adjustable for cabinets with 25 3/4" - 33 1/2" interior heights. For wall diagonal cabinet.



ITEM	DESCRIPTION	PRICE GROUP											
		01	02	03	04	05	06	07	08	09	10	11	12
ABLSR18-SET	18" Round Banded Lazy Susan Set (Wall Diagonal)	623	623	623	623	623	623	623	623	623	623	623	623

**CHROME TRAY DIVIDER**



ITEM	DESCRIPTION	PRICE GROUP											
		01	02	03	04	05	06	07	08	09	10	11	12
ATD-PC-R	Chrome Tray Divider (1 pc)	50	50	50	50	50	50	50	50	50	50	50	50

**WOOD TRAY DIVIDER WITH 3 SECTIONS**

11 3/4" x 22 7/16" x 15 7/16". 3" spacing between dividers. Species: Hard Maple. Includes back panel, bottom panel, 3 dividers, and installation instructions. For 24" deep and 12" wide cabinets. Trimmable to 9" cabinet.



ITEM	DESCRIPTION	PRICE GROUP											
		01	02	03	04	05	06	07	08	09	10	11	12
ATD3	Wood Tray Divider with 3 sections	322	322	322	322	322	322	322	322	322	322	322	322

**KNIFE ORGANIZER  
DRAWER INSERT**

18 1/2" x 22" x 2 3/8". For use in 18 1/2" wide drawer, comes with 19 knife slots and built-in front storage partition. Knife sections can be removed and the unit can be trimmed to fit any drawer width. Maple and Birch with clear UV finish. 9" to 24" base cabinet.



ITEM	DESCRIPTION	PRICE GROUP												
		01	02	03	04	05	06	07	08	09	10	11	12	
AKO18	Knife Organizer Drawer Insert, 18 1/2" x 22" x 2 3/8"	232	232	232	232	232	232	232	232	232	232	232	232	232

**SPICE TRAY ORGANIZER  
FOR DRAWERS**

23 1/2" x 19 1/2" x 1 1/16". Used in 15" drawers or cut to fit. Species: Hard Maple. 9" to 27" base cabinet.



ITEM	DESCRIPTION	PRICE GROUP												
		01	02	03	04	05	06	07	08	09	10	11	12	
ASPO24	Spice Tray Organizer for Drawers, 23 1/2" x 19 1/2" x 1 1/16"	250	250	250	250	250	250	250	250	250	250	250	250	250

**DRAWER ORGANIZER/  
CUTLERY TRAY**

20 7/8" x 22" x 2 1/4". Interior sections are 2 7/16" wide, exterior sections are 3 3/16" wide. Use in 21" wide drawer or cut to fit. Minimum trim depth is 15". Species: Hard Maple. 21" to 24" base cabinet.



ITEM	DESCRIPTION	PRICE GROUP												
		01	02	03	04	05	06	07	08	09	10	11	12	
ADO20	Drawer Organizer/Cutlery Tray, 20 7/8" x 22" x 2 1/4"	242	242	242	242	242	242	242	242	242	242	242	242	242

**DRAWER ORGANIZER/  
CUTLERY TRAY**

14 5/8" X 22" x 2 1/4". Each section is 2 5/8" wide. Use in 15" wide drawer or cut to fit. Minimum trim depth is 15 3/4". Species: hard maple. 15" to 18" base cabinet.



ITEM	DESCRIPTION	PRICE GROUP											
		01	02	03	04	05	06	07	08	09	10	11	12
ADO14	Drawer Organizer / Cutlery Tray, 14 5/8" x 22" x 2 1/4"	176	176	176	176	176	176	176	176	176	176	176	176

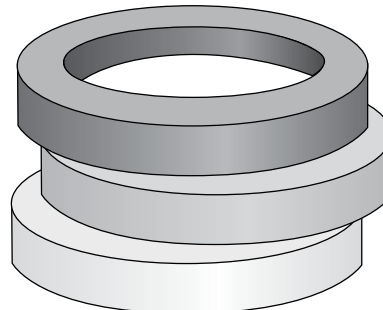
**11 3/4" SHALLOW SINK  
TIPOUT TRAY PACK**

Stainless Steel. 1 9/16" deep x 3" tall. Sold per pair. Two sets of hinges, two trays, and 20pcs screws included.



ITEM	DESCRIPTION	PRICE GROUP											
		01	02	03	04	05	06	07	08	09	10	11	12
ATOSS11S-R	11 3/4" Shallow Sink Tipout Tray Pack, Stainless Steel. 1 9/16" x 3"	84	84	84	84	84	84	84	84	84	84	84	84

**EDGE BAND TAPE 10'**



ITEM	DESCRIPTION	PRICE GROUP											
		01	02	03	04	05	06	07	08	09	10	11	12
EDGE-10	7/8" x 10'	28	28	28	28	28	28	28	28	28	28	28	28



**SQUARE CABINET KNOB,  
POLISHED CHROME**

1 9/16" overall length zinc die cast cabinet knob.  
Packaged with two 8/32" x 1 1/8" screws. Holes are 5/8" center to center. Finish: Polished Chrome.



ITEM	DESCRIPTION	PRICE GROUP											
		01	02	03	04	05	06	07	08	09	10	11	12
A81021PC	5/8 Square Knob, 1 9/16 x 5/8", Polished Chrome Plating	14	14	14	14	14	14	14	14	14	14	14	14

**SQUARE CABINET KNOB,  
SATIN NICKEL**

1 9/16" overall length zinc die cast cabinet knob.  
Packaged with two 8/32" x 1 1/8" screws.  
Holes are 5/8" center to center. Finish: Satin Nickel.



ITEM	DESCRIPTION	PRICE GROUP											
		01	02	03	04	05	06	07	08	09	10	11	12
A81021SN	5/8 Square Knob, 1 9/16 x 5/8", Satin Nickel	14	14	14	14	14	14	14	14	14	14	14	14

**OVAL CABINET KNOB,  
POLISHED CHROME**

1 3/16" overall length Zinc Die Cast Football Knob.  
Packaged with one 8/32" x 1" screw.  
Finish: Polished Chrome



ITEM	DESCRIPTION	PRICE GROUP											
		01	02	03	04	05	06	07	08	09	10	11	12
A3990PC	1 3/16" Oval Knob, Polished Chrome Plating	15	15	15	15	15	15	15	15	15	15	15	15

**OVAL CABINET KNOB,  
SATIN NICKEL**

1 3/16" overall length Zinc Die Cast Football Knob.  
Packaged with one 8/32" x 1" screw.  
Finish: Satin Nickel



ITEM	DESCRIPTION	PRICE GROUP											
		01	02	03	04	05	06	07	08	09	10	11	12
A3990SN	1 3/16" Oval Knob, Satin Nickel	15	15	15	15	15	15	15	15	15	15	15	15

**CABINET KNOB, POLISHED CHROME**

1" diameter zinc die cast cabinet knob.  
Packaged with one 8/32" x 1" screw.  
Finish: Polished Chrome



ITEM	DESCRIPTION	PRICE GROUP											
		01	02	03	04	05	06	07	08	09	10	11	12
A239PC	1" Zinc Knob, Polished Chrome Plating	11	11	11	11	11	11	11	11	11	11	11	11

**CABINET KNOB, SATIN NICKEL**

1" diameter zinc die cast cabinet knob.  
Packaged with one 8/32" x 1" screw.  
Finish: Satin Nickel



ITEM	DESCRIPTION	PRICE GROUP											
		01	02	03	04	05	06	07	08	09	10	11	12
A239SN	1" Zinc Knob, Satin Nickel Plating	11	11	11	11	11	11	11	11	11	11	11	11

**SQUARE BAR PULL,  
POLISHED CHROME**

137mm overall length square bar pull.  
Holes are 128mm center-to-center.  
Packaged with two 8/32" X 1" screws.  
Finish: Polished Chrome



ITEM	DESCRIPTION	PRICE GROUP											
		01	02	03	04	05	06	07	08	09	10	11	12
A625-128PC	5-3/8" length, 128mm center to center, Square Bar Pull, Polished Chrome Plating	21	21	21	21	21	21	21	21	21	21	21	21

**SQUARE BAR PULL,  
SATIN NICKEL**

137mm overall length square bar pull.  
Holes are 128mm center-to-center.  
Packaged with two 8/32" X 1" screws.  
Finish: Satin Nickel



ITEM	DESCRIPTION	PRICE GROUP											
		01	02	03	04	05	06	07	08	09	10	11	12
A625-128SN	5-3/8" length, 128mm center to center, Square Bar Pull, Satin Nickel Plating	21	21	21	21	21	21	21	21	21	21	21	21

**CABINET PULL,  
POLISHED CHROME**

4" overall length zinc die cast cabinet pull.  
Holes are 96mm center-to-center.  
Packaged with two 8/32 X 1" screws.  
Finish: Polished Chrome



ITEM	DESCRIPTION	PRICE GROUP											
		01	02	03	04	05	06	07	08	09	10	11	12
A193-96PC	4" Length, Zinc with Polished Chrome Plating	16	16	16	16	16	16	16	16	16	16	16	16

**CABINET PULL,  
SATIN NICKEL**

4" overall length zinc die cast cabinet pull.  
Holes are 96mm center-to-center.  
Packaged with two 8/32 X 1" screws.  
Finish: Satin Nickel



ITEM	DESCRIPTION	PRICE GROUP											
		01	02	03	04	05	06	07	08	09	10	11	12
A193-96SN	4" Length, Zinc with Satin Nickel Plating	16	16	16	16	16	16	16	16	16	16	16	16

**CABINET PULL,  
POLISHED CHROME**

5 7/8" overall length cabinet pull. Holes are 128mm center-to-center. Packaged with two 8/32" X 1" screws.  
Finish: Polished Chrome.



ITEM	DESCRIPTION	PRICE GROUP											
		01	02	03	04	05	06	07	08	09	10	11	12
A635-128PC	5 7/8" length, 128mm center to center, Cabinet Pull, Polished Chrome Plating	26	26	26	26	26	26	26	26	26	26	26	26

**CABINET PULL,  
SATIN NICKEL**

5 7/8" overall length cabinet pull. Holes are 128mm center-to-center. Packaged with two 8/32" X 1" screws.  
Finish: Satin Nickel.



ITEM	DESCRIPTION	PRICE GROUP											
		01	02	03	04	05	06	07	08	09	10	11	12
A635-128SN	5 7/8" length, 128mm center to center, Cabinet Pull, Satin Nickel	26	26	26	26	26	26	26	26	26	26	26	26